



Atherosclerosis Risk in Communities Study

Cohort Exam Visit 8 NCS

STATUS81_np Derived Variable Dictionary (v.2.0)

November 2023

ARIC STATUS81 Derived Variable Dictionary

Table of Contents

New or Changed from PREVIOUS Distribution.....	6
1. OVERVIEW	7
2. Administrative	7
2.1 SUBJECTID (ARIC Subject ID (CIR))	7
2.2 ID (ARIC ID – same as Subject ID).....	7
2.3 CENTER (Field Center)	7
3. ARIC Visit Completion and Study Status Variables	8
3.1 DATEOFDEATH_FollowUpDays (Days of follow up from visit 1 to Date of Death)	8
3.2 STATUSDATE21_FollowUpDays (Days of follow up from visit 1 to either death date, date of visit 2 exam, OR 05Feb1990)	8
3.3 STATUSDATE31_FollowUpDays (Days of follow up from visit 1 to either death date, date of visit 3 exam, OR 16Mar1993)	9
3.4 STATUSDATE41_FollowUpDays (Days of follow up from either death date, date of visit 4 exam, OR 01Feb1996).....	9
3.5 STATUSDATE51_FollowUpDays (Days of follow up from either death date, date of visit 5 exam, OR 01Jun2011)	10
3.6 STATUSDATE61_FollowUpDays (Days of follow up from visit 1 to either death date, date of visit 6 exam, OR 15Jun2016).....	10
3.7 STATUSDATE71_FollowUpDays (Days of follow up from visit 1 to either death date, date of visit 7 exam, OR 01Feb2018)	10
3.8 STATUSDATE81_FollowUpDays (Days of follow up from visit 1 to either death date, date of visit 8 exam, OR 13Jan2020).....	11
3.9 STATUSDATE8T1_FollowUpDays (Days of follow up from visit 1 to either death date, date of visit 8T exam, OR 15Jun2020).....	11
3.10 LASTFUINTERVIEWDATE_FollowUpDays (Days of follow up from visit 1 to date of last completed follow-up interview by 04DEC2020)	12
4. Physical Variables and Indicators.....	13
4.1 AGENATMENOPAUSEF (Age (years) at natural menopause)	13
4.2 AGESRGMENOPAUSEF (Age (years) at surgical menopause)	13
5. Disease Incidence	14
5.1 INCSELFREPHP8T1 (Self-Report Incident High Blood Pressure by the end of Visit 8T)	14

5.2	INCSELFREP_HBP_DATE8T1_FUdays (Days of follow up from visit 1 to Self-Report Incident High Blood Pressure Date or Earliest Date from Last Follow-up, Death, or End of V8T Data Collection)	14
5.3	INCSELFREPDM8T1 (Self-Report Diabetes Mellitus by the End of Visit 8T)	15
5.4	INCSELFREPDM_DATE8T1_FUdays (Days of follow up from visit 1 to Self-Report Diabetes Mellitus Date or Earliest Date from Last Follow-up, Death, or End of V8T Data Collection)	15
5.5	INCSELFREPCLD8T1 (Self-Report Incident PVD or Claudication by End of Visit 8T)	16
5.6	INCSELFREPCLD_DATE8T1_FUdays (Days of follow up from visit 1 to Self-Report Incident PVD or Claudication Date or Earliest Date from Last Follow-up, Death, or End of V8T Data Collection)	16
5.7	INCSELFREPAST8T1 (Self-Report Asthma by the End of Visit 8T)	17
5.8	INCSELFREPAST_DATE8T1_FUdays (Days of follow up from visit 1 to Self-Report Asthma Date or Earliest Date from Last Follow-up, Death, or End of V8T Data Collection)	17
5.9	INCSELFREPLUNG8T1 (Self-Report Chronic Lung Disease by the End of Visit 8T)	18
5.10	INCSELFREPLUNG_DATE8T1_FUdays (Days of follow up from visit 1 to Self-Report Chronic Lung Disease Date or Earliest Date from Last Follow-up, Death, or End of V8T Data Collection)	18
5.11	INCSELFREP_HF8T1 (Self-Report Heart Failure by the End of Visit 8T)	19
5.12	INCSELFREP_HF_DATE8T1_FUdays (Days of follow up from visit 1 to Self-Report Heart Failure Date or Earliest Date from Last Follow-up, Death, or End of V8T Data Collection)	19
5.13	INCSELFREP_AF8T1 (Self-Report Atrial Fibrillation by the End of Visit 8T)	20
5.14	INCSELFREP_AF_DATE8T1_FUdays (Days of follow up from visit 1 to Self-Report Atrial Fibrillation Date or Earliest Date from Last Follow-up, Death, or End of V8T Data Collection)	21
5.15	INCSELFREP_STK8T1 (Self-Report Stroke by the End of Visit 8T)	21
5.16	INCSELFREP_STK_DATE8T1_FUdays (Days of follow up from visit 1 to Self-Report Stroke Date or Earliest Date from Last Follow-up, Death, or End of V8T Data Collection)	22
6.	Neurocognitive Study	23
6.1	MISSEDMMSEITEMS&v.1 (V&v. Number of missing MMSE items)	25
6.2	PRORATEDMMSE&v.2 (V&v. Pro-rated MMSE score ver2, [(30 * MME score) / (30 – number skipped due to non-cognitive reasons)], NULL if too much missingness)	25
6.3	COGDIAG&v.1 (&v.1 NCS Cognitive Status Diagnosis)	25
6.4	REVISEDROW51 (Row from syndromic dx) (Visit 5 only)	26
6.5	ALGDSTRATUM&v.1 (Row from syndromic dx)	26
7.	Leveled Dementia Diagnoses	27
7.1	DEMDXL1_81 (Dementia diagnosis level 1)	31
7.2	DATE_DEMDXL1_81_FollowUpDays (Days of follow up from visit 1 to Date for dementia diagnosis level 1)	31
7.3	SOURCE_DEMDXL1_81 (Diagnosis and date source for DATE_DEMDXL1_81)	34

7.4	DEMDXL2a_82 (Dementia diagnosis level 2a).....	37
7.5	DATE_DEMDXL2a_82_FollowUpDays (Days of follow up from visit 1 to Date for dementia diagnosis level 2a)	38
7.6	SOURCE_DEMDXL2a_82 (Diagnosis and date source for DATE_DEMDXL2a_82)	38
7.7	DEMDXL2b_82 (Dementia diagnosis level 2b).....	40
7.8	DATE_DEMDXL2b_82_FollowUpDays (Days of follow up from visit 1 to Date for dementia diagnosis level 2b)	41
7.9	SOURCE_DEMDXL2b_82 (Diagnosis and date source for DATE_DEMDXL2b_82)	44
7.10	DEMDXL2c_82 (Dementia diagnosis level 2c)	46
7.11	DATE_DEMDXL2c_82_FollowUpDays (Days of follow up from visit 1 to Date for dementia diagnosis level 2c).....	47
7.12	SOURCE_DEMDXL2c_82 (Diagnosis and date source for DATE_DEMDXL2c_82).....	49
7.13	DEMDXL3_81 (Dementia diagnosis level 3).....	51
7.14	DATE_DEMDXL3_81_FollowUpDays (Days of follow up from visit 1 to Date for dementia diagnosis level 3)	52
7.15	SOURCE_DEMDXL3_81 (Diagnosis and date source for DATE_DEMDXL3_81)	54
7.16	DEMDXPHONE_81 (Dementia diagnosis from phone assessments).....	59
7.17	DATE_DEMDXPHONE_81_FollowUpDays (Days of follow up from visit 1 to Date for dementia diagnosis from phone assessments)	60
7.18	SOURCE_DEMDXPHONE_81 (Diagnosis and date source from phone assessments)	61
7.19	DEMDXSURV_81 (Dementia diagnosis from medical records and death certificates).....	63
7.20	DATE_DEMDXSURV_81_FollowUpDays (Days of follow up from visit 1 to Date for dementia diagnosis from medical records and death certificates).....	64
7.21	SOURCE_DEMDXSURV_81 (Diagnosis and date source from medical records and death certificates).....	64
8.	Survival Analysis Variables.....	66
8.1	DEMDXL1CENS_81 (Censored level 1 dementia diagnosis)	66
8.2	COXDATE_DEMDXL1_81_FollowUpDays (Days of follow up from visit 1 to Adjusted date of censored level 1 dementia diagnosis).....	68
8.3	DEMDXL2CENS_81 (Censored level 2 dementia diagnosis)	69
8.4	COXDATE_DEMDXL2_81_FollowUpDays (Days of follow up from visit 1 to Adjusted date of censored level 2 dementia diagnosis).....	70
8.5	DEMDXL3CENS_81 (Censored level 3 dementia diagnosis)	71
8.6	COXDATE_DEMDXL3_81_FollowUpDays (Days of follow up from visit 1 to Adjusted date of censored level 3 dementia diagnosis).....	72
8.7	DEMDXPHONECENS_81 (Censored phone only dementia diagnosis)	73

8.8	COXDATE_DEMDXPHONE_81_FUdays (Days of follow up from visit 1 to Adjusted date of censored phone only dementia diagnosis)	74
8.9	DEMDXSURVCENS_81 (Censored surveillance only dementia diagnosis)	74
8.10	COXDATE_DEMDXSURV_81_FUdays (Days of follow up from visit 1 to Adjusted date of censored surveillance only dementia diagnosis)	75
Appendix A: Leveled Dementia Intermediate Variables		77
A1. Death and Hospitalization Codes		77
A1.1	DEMENTEDCEL81 (Dementia codes in CEL).....	77
A1.2	DEMENTEDCEL81_DATE1-DEMENTEDCEL81_DATE# (Date of the occurrence of a CEL with dementia code).....	78
A1.3	DEMENTEDDTH81 (Dementia codes in DTH).....	78
A1.4	DEMENTEDDTH81_DATE (Date of death for PPT with a dementia death code)	79
A1.5	DEMENTEDCEL81_DATE_COND (DEMENTEDCEL81_DATE conditional on dementia information available at V5).....	80
A2. ADS Variables (multiple records per PPT).....		82
A2.1	ADSLEADRESP (Number of responses (Yes or No) to lead in questions)	82
A2.2	ADSLEADY (Number of Yes responses to lead in questions).....	82
A2.3	ADSLEADN (Number of 'No' responses to lead in questions)	83
A2.4	ADSSUBRESP (Number of responses (Yes or No) to sub questions).....	83
A2.5	AD8aScore (Number of 'Yes' responses to sub questions (AD8 Score), conditional on the expected number of responses).....	83
A2.6	AD8Failure (AD8 failure (score >= 2))	84
A3. ADS Variables (one record per PPT)		85
A3.1	AD8FAILURE (Any failed AD8 (score >=2) among those attempted)	85
A3.2	AD8FAILUREDATE (Date of first AD8 failed or last observed not failed)	85
A4. SIS Variables (multiple records per PPT)		86
A4.1	SISAttempt (SIS sum of attempted (Correct=C or Incorrect=I) responses).....	86
A4.2	SISScore (SIS raw score (sum of correct responses))	86
A4.3	SISProratedScore (SIS prorated score (PPTs attempting 4+ items)=(# of correct SIS items * 6)/(# of attempted items)).....	87
A4.4	SISFailure (SIS failure (prorated SIS score <= 3)).....	87
A5. SIS Variables (one record per PPT).....		89
A5.1	SISFAILURECAT (SIS FAILURE categories denoting number of failures)	89
A5.2	SISFAILUREDATE (Date of first SIS failure or last observed not failed)	89

NEW OR CHANGED FROM PREVIOUS DISTRIBUTION

This table describes the changes to the last published STATUS81 dictionary. As the dataset undergoes modifications, this table will describe the updates made to the previously distributed dataset.

Modification Date	Variable Name	Reason(s) for Change
11/08/2023	Dementia-related, visit-specific variables, COGDIAG, ALGDXSTRATUM, PRORATEDMMSE (ver 2), NMISMMSEITEMS moved to STATUS. These variables are created in V5, V6, V7, and V8T. Operational variables providing visit-specific vital status and visit-specific visit attendance status were dropped from this analytic dataset.	Moving these variables was recommended by analysts to facilitate analyses for manuscripts.
11/08/2023	Version 2 of the PRORATEDMMSE variable sets the value to NULL if the participant skipped 7 or more items on the test.	Previously derived PRORATEDMMSE variables didn't stipulate whether a minimum number of items were completed. The version in the STATUS dataset should be used in analyses.
9/1/2023	Dataset was finalized; all leveled dementia variables updated with closed event year 2020. Records removed due to misapplied consents were returned to the dataset.	Event year 2020 was closed so the dataset was updated, finalized, frozen, and then prepared as an _NP dataset. The dataset now contains 15792 records.
8/29/2022	COXDATE_DEMDXL3_81	Administrative censoring based on last contact with participant or proxy even if subsequent death record indicates no dementia. Altered censoring date for 18 participants.

1. OVERVIEW

The STATUS81_np dataset has 15,792 records, one for each ARIC participant and the dataset has been updated to remove all personal health information denoted by the _np suffix. The purpose of this dataset is to provide to ARIC collaborators widely used, verified derived variables for the entire cohort. The dataset naming conventions are as follows: The dataset name retains the dataset creation date (ex: STATUS81_210624) until the dataset is considered final, frozen. After a dataset is frozen, the creation date is dropped from the dataset name (ex: STATUS81). The first digit in the dataset name refers to the current visit number. The second digit in the dataset name is incremented when the current dataset undergoes significant changes. The variable naming convention is similar: Across-visit variables have identical names except for the second to last digit in the variable name, which represents the visit number (ex: GENDER71 at Visit 7 vs. GENDER81 at Visit 8). The last digit in the variable name identifies the definition version of a variable.

STATUS variables are derived from the data collected from the previous and current visits, ARIC cohort surveillance, and ARIC follow-up. STATUS81 will be final, frozen after the surveillance datasets are complete for events in 2020.

2. ADMINISTRATIVE

2.1 SUBJECTID (ARIC Subject ID (CIR))

Type: Character; length: \$7.

2.2 ID (ARIC ID – same as Subject ID)

Type: Character; length: \$7.

2.3 CENTER (Field Center)

Description: Character variable with four possible values derived from the enrollment site:
F: Forsyth County, North Carolina
J: The city of Jackson, Mississippi
M: Selected northwestern suburbs of Minneapolis, Minnesota
W: Washington County, Maryland

Type: Character; length: \$1.

Algorithm: CENTER=First letter of the subject ID

Source variable(s): SUBJECTID

3. ARIC VISIT COMPLETION AND STUDY STATUS VARIABLES

3.1 DATEOFDEATH_FollowUpDays (Days of follow up from visit 1 to Date of Death)

Description: Numeric variable indicating the days of follow up from visit 1 to date of death compiled from previous visit dates and ARIC surveillance data.

Type: Numeric

Algorithm: If [SURVALL.DTHA2209a] date of death>NULL then DATEOFDEATH_FollowUpDays is the number of days between visit 1 and [SURVALL.DTHA2209a] date of death.
Else if [SURVALL.HRAA2209a] date of discharge or death>NULL and HRAA17="D" then DATEOFDEATH_FollowUpDays is the number of days between visit 1 and [SURVALL.HRAA2209a] date of discharge or death.
Else if ([SURVALL.CELB2209a] date of discharge or death>NULL and CELB06='Y') then DATEOFDEATH_FollowUpDays is the number of days between visit 1 and [SURVALL.CELB2209a] date of discharge or death.
Else if NULL<[ADER] date of death <="04DEC2020"d then DATEOFDEATH_FollowUpDays is the number of days between visit 1 and [ADER] date of death.
Else DATEOFDEATH_FollowUpDays =NULL;

Source variable(s): visit 1 date, [SURVALL.DTHA2209a] date of death, [SURVALL.HRAA2209a] date of discharge or death, HRAA17, [SURVALL.CELB2209a] date of discharge or death, CELB06, [ADER] date of death

3.2 STATUSDATE21_FollowUpDays (Days of follow up from visit 1 to either death date, date of visit 2 exam, OR 05Feb1990)

Description: Numeric variable with status as of visit 2. Value is the days of follow up from visit 1 to one of the following: 1) date of completion of visit 2, 2) date of death if dead by the start of visit 2, or 3) the date that visit 2 began (05Feb1990).

Type: Numeric

Algorithm: If visit 2 date is not missing then STATUSDATE21_FollowUpDays is the number of days between visit 1 and visit 2.
Else if KNWNDEADBYVISIT21=1 then STATUSDATE21_FollowUpDays is the number of days between visit 1 and date of death.

Else STATUSDATE21_FollowUpDays is the number of days between visit 1 and the date that visit 2 began.

Source variable(s): visit 1 date, visit 2 date, KNWNDEADBYVISIT21, date of death

3.3 STATUSDATE31_FollowUpDays (Days of follow up from visit 1 to either death date, date of visit 3 exam, OR 16Mar1993)

Description: Numeric variable with status as of visit 3. Value is the days of follow up from visit 1 to one of the following: 1) date of completion of visit 3, 2) date of death if dead by the start of visit 3, or 3) the date that visit 3 began (16Mar1993).

Type: Numeric

Algorithm: If visit 3 date is not missing then STATUSDATE31_FollowUpDays is the number of days between visit 1 and visit 3.
Else if KNWNDEADBYVISIT31=1 then STATUSDATE31_FollowUpDays is the number of days between visit 1 and date of death.
Else STATUSDATE31_FollowUpDays is the number of days between visit 1 and the date that visit 3 began.

Source variable(s): visit 1 date, visit 3 date, KNWNDEADBYVISIT31, date of death

3.4 STATUSDATE41_FollowUpDays (Days of follow up from either death date, date of visit 4 exam, OR 01Feb1996)

Description: Numeric variable with status as of visit 4. Value is the days of follow up from visit 1 to one of the following: 1) date of completion of visit 4, 2) date of death if dead by the start of visit 4, or 3) the date that visit 4 began (01Feb1996).

Type: Numeric

Algorithm: If visit 4 date is not missing then STATUSDATE41_FollowUpDays is the number of days between visit 1 and visit 4.
Else if KNWNDEADBYVISIT41=1 then STATUSDATE41_FollowUpDays is the number of days between visit 1 and date of death.
Else STATUSDATE41_FollowUpDays is the number of days between visit 1 and the date that visit 4 began.

Source variable(s): visit 1 date, visit 4 date, KNWNDEADBYVISIT41, date of death

3.5 STATUSDATE51_FollowUpDays (Days of follow up from either death date, date of visit 5 exam, OR 01Jun2011)

Description: Numeric variable with status as of visit 5. Value is the days of follow up from visit 1 to one of the following: 1) date of completion of visit 5, 2) date of death if dead by the start of visit 5, or 3) the date that visit 5 began (01Jun2011).

Type: Numeric

Algorithm: If visit 5 date is not missing then STATUSDATE51_FollowUpDays is the number of days between visit 1 and visit 5.
Else if KNWNDEADBYVISIT51=1 then STATUSDATE51_FollowUpDays is the number of days between visit 1 and date of death.
Else STATUSDATE51_FollowUpDays is the number of days between visit 1 and the date that visit 5 began.

Source variable(s): visit 1 date, visit 5 date, KNWNDEADBYVISIT51, date of death

3.6 STATUSDATE61_FollowUpDays (Days of follow up from visit 1 to either death date, date of visit 6 exam, OR 15Jun2016)

Description: Numeric variable with status as of visit 6. Value is the days of follow up from visit 1 to one of the following: 1) date of completion of visit 6, 2) date of death if dead by the start of visit 6, or 3) the date that visit 6 began (15Jun2016).

Type: Numeric

Algorithm: If visit 6 date is not missing then STATUSDATE61_FollowUpDays is the number of days between visit 1 and visit 6.
Else if KNWNDEADBYVISIT61=1 then STATUSDATE61_FollowUpDays is the number of days between visit 1 and date of death.
Else STATUSDATE61_FollowUpDays is the number of days between visit 1 and the date that visit 6 began.

Source variable(s): visit 1 date, visit 6 date, KNWNDEADBYVISIT61, date of death

3.7 STATUSDATE71_FollowUpDays (Days of follow up from visit 1 to either death date, date of visit 7 exam, OR 01Feb2018)

Description: Numeric variable with status as of visit 7. Value is the days of follow up from visit 1 to one of the following: 1) date of completion of visit 7,

2) date of death if dead by the start of visit 7, or 3) the date that visit 7 began (01Feb2018).

Type: Numeric

Algorithm: If visit 7 date is not missing then STATUSDATE71_FollowUpDays is the number of days between visit 1 and visit 7.
Else if KNWNDEADBYVISIT71=1 then STATUSDATE71_FollowUpDays is the number of days between visit 1 and date of death.
Else STATUSDATE71_FollowUpDays is the number of days between visit 1 and the date that visit 7 began.

Source variable(s): visit 1 date, visit 7 date, KNWNDEADBYVISIT71, date of death

3.8 STATUSDATE81_FollowUpDays (Days of follow up from visit 1 to either death date, date of visit 8 exam, OR 13Jan2020)

Description: Numeric variable with status as of visit 8. Value is the days of follow up from visit 1 to one of the following: 1) date of completion of visit 8, 2) date of death if dead by the start of visit 8, or 3) the date that visit 8 began (13Jan2020).

Type: Numeric

Algorithm: If visit 8 date is not missing then STATUSDATE81_FollowUpDays is the number of days between visit 1 and visit 8.
Else if KNWNDEADBYVISIT81=1 then STATUSDATE81_FollowUpDays is the number of days between visit 1 and date of death.
Else STATUSDATE81_FollowUpDays is the number of days between visit 1 and the date that visit 8 began.

Source variable(s): visit 1 date, visit 8 date, KNWNDEADBYVISIT81, date of death

3.9 STATUSDATE8T1_FollowUpDays (Days of follow up from visit 1 to either death date, date of visit 8T exam, OR 15Jun2020)

Description: Numeric variable with status as of visit 8 telephone. Value is the days of follow up from visit 1 to one of the following: 1) date of completion of visit 8T, 2) date of death if dead by the start of visit 8T, or 3) the date that visit 8T began (15Jun2020).

Type: Numeric

Algorithm: If visit 8 telephone date is not missing then
STATUSDATE8T1_FollowUpDays is the number of days between
visit 1 and visit 8 telephone.
Else if KNWNDEADBYVISIT8T1=1 then
STATUSDATE8T1_FollowUpDays is the number of days between
visit 1 and date of death.
Else STATUSDATE8T1_FollowUpDays is the number of days
between visit 1 and the date that visit 8 telephone began.

Source variable(s): visit 1 date, visit 8 telephone date, KNWNDEADBYVISIT8T1, date of death

3.10 LASTFUINTERVIEWDATE_FollowUpDays (Days of follow up from visit 1 to date of last completed follow-up interview by 04DEC2020)

Description: Numeric variable that documents the days of follow up from visit 1 to the date of the participant's last completed follow-up interview where an actual contact was made, prior to end of visit 8 telephone (04DEC2020).

Type: Numeric

Algorithm: LASTFUINTERVIEWDATE_FollowUpDays is the number of days between visit 1 and the max status date in the composite follow-up dataset among the records for a single ID where AFUcomp2_A indicates that the interview was accomplished (AFUcomp2_a in ('A','C','D')) and the date preceded December 4, 2020.

Source variable(s): follow-up status date, AFUcomp2_A

4. PHYSICAL VARIABLES AND INDICATORS

4.1 AGENATMENOPAUSEF (Age (years) at natural menopause)

Description: Numeric variable indicating age in years at natural menopause.

Type: Numeric

Algorithm: AGENATMENOPAUSEF=AGENATMENOPAUSEF [STATUS51]

Source variable(s): AGENATMENOPAUSEF (from STATUS51)

4.2 AGESRGMENOPAUSEF (Age (years) at surgical menopause)

Description: Numeric variable indicating age in years at surgical menopause.

Type: Numeric

Algorithm: AGESRGMENOPAUSEF=AGESRGMENOPAUSEF [STATUS51]

Source variable(s): AGESRGMENOPAUSEF (from STATUS51)

5. DISEASE INCIDENCE

5.1 INCSELFREPHBP8T1 (Self-Report Incident High Blood Pressure by the end of Visit 8T)

Description: Numeric indicator variable reporting if the participant self-reported high blood pressure by November 30, 2020. May be used in conjunction with INCSELFREPHBP_DATE8T1.

Format: 1=Yes, 0=No

Type: Numeric

Algorithm: If MCU1=NULL then INCSELFREPHBP8T1=NULL.

Else if NULL<= MCU1a<="30NOV2020"d then do;
 If MCU1='Y' then INCSELFREPHBP8T1=1
 Else if MCU1='N' then INCSELFREPHBP8T1=0
End;

Else if MCU1a>"30NOV2020"d then INCSELFREPHBP8T1=0;

Source variable(s): MCU1, MCU1a

5.2 INCSELFREPHBP_DATE8T1_FUdays (Days of follow up from visit 1 to Self-Report Incident High Blood Pressure Date or Earliest Date from Last Follow-up, Death, or End of V8T Data Collection)

Description: Numeric variable with the days of follow up from visit 1 to date the first time a participant self-reported high blood pressure (through December 4, 2020); if participant never self-reported high blood pressure (INCSELFREPHBP8T1=0), then the value is the days of follow up from visit 1 to one of the following: 1) the Medical Conditions Update (MCU) form date, 2) date of death, or 3) December 4, 2020, whichever is earlier. The variable is missing if there are no records for this ID.

Type: Numeric

Algorithm: if INCSELFREPHBP8T1=1 then
INCSELFREPHBP_DATE8T1_FUdays is the number of days between visit 1 and self-report incident high blood pressure date

Else if INCSELFREPHBP8T1=0 then
INCSELFREPHBP_DATE8T1_FUdays is the number of days between visit 1 and min(MCU date, date of death, "04DEC2020"d)

Else INCSELFREPHBP_DATE8T1_FUdays = NULL

Source variable(s): visit 1 date, MCU date, self-report incident high blood pressure date, date of death, INCSELFREPHBP8T1

5.3 INCSELFREPDM8T1 (Self-Report Diabetes Mellitus by the End of Visit 8T)

Description: Numeric indicator variable reporting if the participant self-reported diabetes mellitus by November 30, 2020. May be used in conjunction with INCSELFREPDM_DATE8T1.

Format: 1=Yes, 0=No

Type: Numeric

Algorithm: If MCU2=NULL then INCSELFREPDM8T1=NULL.

Else if NULL<= MCU2a<="30NOV2020"d then do;
 If MCU2='Y' then INCSELFREPDM8T1=1
 Else if MCU2='N' then INCSELFREPDM8T1=0
End;

Else if MCU2a>"30NOV2020"d then INCSELFREPDM8T1=0;

Source variable(s): MCU2, MCU2a

5.4 INCSELFREPDM_DATE8T1_FUdays (Days of follow up from visit 1 to Self-Report Diabetes Mellitus Date or Earliest Date from Last Follow-up, Death, or End of V8T Data Collection)

Description: Numeric variable with the days of follow up from visit 1 to date the first time a participant self-reported diabetes mellitus (through December 4, 2020); if participant never self-reported diabetes mellitus (INCSELFREPDM8T1=0), then the value is the days of follow up from visit 1 to one of the following: 1) the Medical Conditions Update (MCU) form date, 2) date of death, or 3) December 4, 2020, whichever is earlier. The variable is missing if there are no records for this ID.

Type: Numeric

Algorithm: if INCSELFREPDM8T1=1 then
INCSELFREPDM_DATE8T1_FUdays is the number of days between visit 1 and self-report incident diabetes mellitus date

Else if INCSELFREPDM8T1=0 then
INCSELFREPDM_DATE8T1_FUdays is the number of days between visit 1 and min(MCU date, date of death, "04DEC2020"d)

Else INCSELFREPDM_DATE8T1_FUdays = NULL

Source variable(s): visit 1 date, MCU date, self-report incident diabetes mellitus date, date of death, INCSELFREPDM8T1

5.5 **INCSELFREPCLD8T1 (Self-Report Incident PVD or Claudication by End of Visit 8T)**

Description: Numeric variable reporting if the participant self-reported incident PVD or claudication by November 30, 2020. May be used in conjunction with INCSELFREPCLD_DATE8T1.

Format: 1=Yes, 0=No,

Type: Numeric

Algorithm: If MCU5=NULL then INCSELFREPCLD8T1=NULL.

Else if NULL<= MCU5a<="30NOV2020"d then do;
 If MCU5='Y' then INCSELFREPCLD8T1=1
 Else if MCU5='N' then INCSELFREPCLD8T1=0
End;

Else if MCU5a>"30NOV2020"d then INCSELFREPCLD8T1=0;

Source variable(s): MCU5, MCU5a

5.6 **INCSELFREPCLD_DATE8T1_FUdays (Days of follow up from visit 1 to Self-Report Incident PVD or Claudication Date or Earliest Date from Last Follow-up, Death, or End of V8T Data Collection)**

Description: Numeric variable with the days of follow up from visit 1 to the date the first time a participant self-reported incident PVD or claudication (through December 4, 2020); if participant never self-reported incident PVD or claudication (INCSELFREPCLD8T1=0), then the value is the days of follow up from visit 1 to one of the following: 1) the Medical Conditions Update (MCU) form date, 2) date of death, or 3) December 4, 2020, whichever is earlier. The variable is missing if there are no records for this ID.

Type: Numeric

Algorithm: if INCSELFREPCLD8T1=1 then
INCSELFREPCLD_DATE8T1_FUdays is the number of days between visit 1 and self-report incident PVD or claudication date

Else if INCSELFREPCLD8T1=0 then
INCSELFREPCLD_DATE8T1_FUdays is the number of days between
visit 1 and min(MCU date, date of death, "04DEC2020"d)

Else INCSELFREPCLD_DATE8T1_FUdays = NULL

Source variable(s): visit 1 date, MCU date, self-report incident PVD or claudication date,
date of death, INCSELFREPCLD8T1

5.7 INCSELFREPAST8T1 (Self-Report Asthma by the End of Visit 8T)

Description: Numeric variable reporting if the participant self-reported asthma by
November 30, 2020. May be used in conjunction with
INCSELFREPAST_DATE8T1.

Format: 1=Yes, 0=No

Type: Numeric

Algorithm: If MCU4=NULL then INCSELFREPAST8T1=NULL.

Else if NULL<= MCU4a<="30NOV2020"d then do;
 If MCU4='Y' then INCSELFREPAST8T1=1
 Else if MCU4='N' then INCSELFREPAST8T1=0
End;

Else if MCU4a>"30NOV2020"d then INCSELFREPAST8T1=0;

Source variable(s): MCU4, MCU4a

5.8 INCSELFREPAST_DATE8T1_FUdays (Days of follow up from visit 1 to Self-Report Asthma Date or Earliest Date from Last Follow-up, Death, or End of V8T Data Collection)

Description: Numeric variable with the days of follow up from visit 1 to the date the
first time a participant self-reported asthma (through December 4,
2020); if participant never self-reported asthma
(INCSELFREPAST8T1=0), then the value is the days of follow up
from visit 1 to one of the following: 1) the Medical Conditions Update
(MCU) form date, 2) date of death, or 3) December 4, 2020, whichever
is earlier. The variable is missing if there are no records for this ID.

Type: Numeric

Algorithm: if INCSELFREPAST8T1=1 then

INCSELFREPAST_DATE8T1_FUdays is the number of days between visit 1 and self-report incident asthma date

Else if INCSELFREPAST8T1=0 then
INCSELFREPAST_DATE8T1_FUdays is the number of days between visit 1 and min(MCU date, date of death, "04DEC2020"d)

Else INCSELFREPAST_DATE8T1_FUdays = NULL

Source variable(s): visit 1 date, MCU date, self-report incident asthma date, date of death, INCSELFREPAST8T1

5.9 INCSELFREPLUNG8T1 (Self-Report Chronic Lung Disease by the End of Visit 8T)

Description: Numeric variable reporting if the participant self-reported chronic lung disease by November 30, 2020. May be used in conjunction with INCSELFREPLUNG_DATE8T1.

Format: 1=Yes, 0=No

Type: Numeric

Algorithm: If MCU3=NULL then INCSELFREPLUNG8T1=NULL.

Else if NULL<= MCU3a<="30NOV2020"d then do;
 If MCU3='Y' then INCSELFREPLUNG8T1=1
 Else if MCU3='N' then INCSELFREPLUNG8T1=0
End;

Else if MCU3a>"30NOV2020"d then INCSELFREPLUNG8T1=0;

Source variable(s): MCU3, MCU3a

5.10 INCSELFREPLUNG_DATE8T1_FUdays (Days of follow up from visit 1 to Self-Report Chronic Lung Disease Date or Earliest Date from Last Follow-up, Death, or End of V8T Data Collection)

Description: Numeric variable with the days of follow up from visit 1 to the date the first time a participant self-reported chronic lung disease (through December 4, 2020); if participant never self-reported chronic lung disease (INCSELFREPLUNG8T1=0), then the value is the days of follow up from visit 1 to one of the following: 1) the Medical Conditions Update (MCU) form date, 2) date of death, or 3) December 4, 2020,

whichever is earlier. The variable is missing if there are no records for this ID.

Type: Numeric

Algorithm: if INCSELFREPLUNG8T1=1 then
INCSELFREPLUNG_DATE8T1_FUdays is the number of days
between visit 1 and self-report incident chronic lung disease date

Else if INCSELFREPLUNG8T1=0 then
INCSELFREPLUNG_DATE8T1_FUdays is the number of days
between visit 1 and min(MCU date, date of death, "04DEC2020"d)

Else INCSELFREPLUNG_DATE8T1_FUdays = NULL

Source variable(s): visit 1 date, MCU date, self-report incident chronic lung disease date,
date of death, INCSELFREPLUNG8T1

5.11 INCSELFREPHF8T1 (Self-Report Heart Failure by the End of Visit 8T)

Description: Numeric variable reporting if the participant self-reported heart failure
by November 30, 2020. May be used in conjunction with
INCSELFREPHF_DATE8T1.

Format: 1=Yes, 0=No

Type: Numeric

Algorithm: If MCU6='Y' or MCU7='Y' then SRHFail=1;
Else if MCU6, MCU7=('N', NULL) or (NULL, 'N') then SRHFail=0;
Else if MCU6=NULL and MCU7=NULL then SRHFail=NULL.

If SRHFail=NULL then INCSELFREPHF8T1=NULL

Else if NULL <= MCU7a<="30NOV2020"d then do;
if SRHFail=1 then INCSELFREPHF8T1=1
Else if SRHFail=0 then INCSELFREPHF8T1=0
End;

Else if MCU7a>"30NOV2020"d then INCSELFREPHF8T1=0;

Source variable(s): MCU6, MCU7, MCU7a

5.12 INCSELFREPHF_DATE8T1_FUdays (Days of follow up from visit 1 to Self-Report Heart Failure Date or Earliest Date from Last Follow-up, Death, or End of V8T Data Collection)

Description: Numeric variable with the days of follow up from visit 1 to the date the first time a participant self-reported heart failure (through December 4, 2020); if participant never self-reported heart failure (INCSELFREPHF8T1=0), then the value is the days of follow up from visit 1 to one of the following: 1) the Medical Conditions Update (MCU) form date, 2) date of death, or 3) December 4, 2020, whichever is earlier. The variable is missing if there are no records for this ID.

Type: Numeric

Algorithm: if INCSELFREPHF8T1=1 then
INCSELFREPHF_DATE8T1_FUdays is the number of days between visit 1 and the self-report incident heart failure date

Else if INCSELFREPHF8T1=0 then
INCSELFREPHF_DATE8T1_FUdays is the number of days between visit 1 and min(MCU date, date of death, "04DEC2020"d)

Else INCSELFREPHF_DATE8T1_FUdays = NULL

Source variable(s): visit 1 date, MCU date, self-report incident heart failure date, date of death, INCSELFREPHF8T1

5.13 INCSELFREPAF8T1 (Self-Report Atrial Fibrillation by the End of Visit 8T)

Description: Numeric variable reporting if the participant self-reported atrial fibrillation by November 30, 2020. May be used in conjunction with INCSELFREPAF_DATE8T1.

Format: 1=Yes, 0=No

Type: Numeric

Algorithm: If MCU12=NULL then INCSELFREPAF8T1=NULL.

Else if NULL<= MCU12a<="30NOV2020"d then do;
 If MCU12='Y' then INCSELFREPAF8T1=1
 Else if MCU12='N' then INCSELFREPAF8T1=0
End;

Else if MCU12a>"30NOV2020"d then INCSELFREPAF8T1=0;

Source variable(s): MCU12, MCU12a

5.14 **INCSELFREPAF_DATE8T1_FUdays (Days of follow up from visit 1 to Self-Report Atrial Fibrillation Date or Earliest Date from Last Follow-up, Death, or End of V8T Data Collection)**

Description: Numeric variable with the days of follow up from visit 1 to the date the first time a participant self-reported atrial fibrillation (through December 4, 2020); if participant never self-reported atrial fibrillation (INCSELFREPAF8T1=0), then the value is the days of follow up from visit 1 to one of the following: 1) the Medical Conditions Update (MCU) form date, 2) date of death, or 3) December 4, 2020, whichever is earlier. The variable is missing if there are no records for this ID.

Type: Numeric

Algorithm: if INCSELFREPAF8T1=1 then
INCSELFREPAF_DATE8T1_FUdays is the number of days between visit 1 and self-report incident atrial fibrillation date

Else if INCSELFREPAF8T1=0 then
INCSELFREPAF_DATE8T1_FUdays is the number of days between visit 1 and min(MCU date, date of death, "04DEC2020"d)

Else INCSELFREPAF_DATE8T1_FUdays = NULL

Source variable(s): visit 1 date, MCU date, self-report incident atrial fibrillation date, date of death, INCSELFREPAF8T1

5.15 **INCSELFREPSTK8T1 (Self-Report Stroke by the End of Visit 8T)**

Description: Numeric variable reporting if the participant self-reported stroke by November 30, 2020. May be used in conjunction with INCSELFREPSTK_DATE8T1.

Format: 1=Yes, 0=No, .T=Missing

Type: Numeric

Algorithm: INCSELFREPSTK8T1=1 if any of the records for a single ID have a Y value for either AFUcomp29_A or AFUcomp8b_K and NULL<afucomp1_A<="30NOV2020"d

INCSELFREPSTK8T1=0 if AFUcomp29_A, AFUcomp8b_K are (N,NULL) or (NULL,N) respectively in all records for a single ID, where NULL<afucomp1_A<="30NOV2020"d
INCSELFREPSTK71=NULL otherwise.

Source variable(s): AFUcomp29_A, AFUcomp8b_K, AFUcomp1_a

5.16 INCSELFREPSTK_DATE8T1_FUdays (Days of follow up from visit 1 to Self-Report Stroke Date or Earliest Date from Last Follow-up, Death, or End of V8T Data Collection)

Description: Numeric variable with the days of follow up from visit 1 to the date the first time a participant self-reported stroke (through December 4, 2020); if participant never self-reported stroke (INCSELFREPSTK8T1=0), then the value is the days of follow up from visit 1 to one of the following: 1) the most recent AFU, 2) date of death, or 3) December 4, 2020, whichever is earlier. The variable is missing if there are no records for this ID.

Type: Numeric

Algorithm: INCSELFREPSTK_DATE8T1_FUdays is the number of days between visit 1 and the earliest status date in the composite follow-up dataset within the records for a single ID where a Y value is found for either AFUcomp29_A or AFUcomp8b_K (as long as the status date is not greater than "04DEC2020"d)

Else INCSELFREPSTK_DATE8T1_FUdays is the number of days between visit 1 and min(last completed follow-up interview date by 04DEC2020, date of death, "04DEC2020"d)

Else INCSELFREPSTK_DATE8T1_FUdays= missing if no records are found for a single ID

Source variable(s): AFUcomp29_A, AFUcomp8b_K, status date, last completed follow-up interview by 04DEC2020, date of death

6. NEUROCOGNITIVE STUDY

Table 1. Computer Algorithm Determination of REVISEDSYNDDIAG51 (VISIT 5 only)

Row	Decline ¹ (NSS11>=1)	Fail domain ² (revised NSS6 ³)	CDRsb (CDS7)	FAQ (FAQ51)	REVISEDSY NDDIAG	Dx (formatted value of REVISEDSY NDDIAG)
0	PRORATEDMMSE51 score less than 21 for white participants or PRORATEDMMSE51 score less than 19 for black participants				4	Prob Dem
1	N	0	0, missing	≤5, missing	0	NL
2	N	0	0	>5	1	Prob NL
3	N	0	>0 but ≤3	≤5, missing	1	Prob NL
4	N	0	>0 but ≤3	>5	2	Uncert, rvu
5	N	0	>3	≤5, missing	2	Uncert, rvu
6	N	0	>3	>5	2	Uncert, rvu
7	N	1	0, missing	≤5, missing	1	Prob NL
8	N	1	0	>5	3	Prob MCI
9	N	1	>0 but ≤3	≤5, missing	3	Prob MCI
10	N	1	>0 but ≤3	>5	3	Prob MCI
11	N	1	>3	≤5, missing	4	Prob Dem
12	N	1	>3	>5	4	Prob Dem
13	N	>1	0, missing	≤5, missing	1	Prob NL
14	N	>1	0	>5	3	Prob MCI
15	N	>1	>0 but ≤3	≤5, missing	3	Prob MCI
16	N	>1	>0 but ≤3	>5	3	Prob MCI
17	N	>1	>3	≤5	4	Prob Dem
18	N	>1	>3	>5, missing	4	Prob Dem
19	y	0	0, missing	≤5, missing	0	NL
20	y	0	0	>5	2	Uncert, rvu
21	y	0	>0 but ≤3	≤5, missing	1	Prob NL
22	y	0	>0 but ≤3	>5	1	Prob NL
23	y	0	>3	≤5, missing	2	Uncert, rvu
24	y	0	>3	>5	2	Uncert, rvu
25	y	1	0, missing	≤5, missing	5	MCI
26	y	1	0	>5	3	Prob MCI
27	y	1	>0 but ≤3	≤5, missing	5	MCI
28	y	1	>0 but ≤3	>5	3	Prob MCI
29	y	1	>3	≤5	4	Prob Dem
30	y	1	>3	>5, missing	4	Prob Dem
31	y	>1	0, missing	≤5, missing	5	MCI
32	y	>1	0	>5	3	Prob MCI
33	y	>1	>0 but ≤3	≤5	5	MCI
34	y	>1	>0 but ≤3	>5, missing	3	Prob MCI
35	y	>1	>3	≤5	4	Prob Dem
36	y	>1	>3	>5, missing	6	Dem

Table 2. Computer Generated Algorithmic Diagnoses (Visit 6+)

Stratum	Decline ¹	Failed domain ²	CDR sum of boxes	FAQ	Algorithm Dx ³	Selected to Stage 2	Requires Review
1	PPT diagnosed with dementia at V5 or V6 or V7 (DEMDXL1_&v.1=1)				Dem	No	No
2	MMSE score (prorated) less than 21 for white participants <i>or</i> MMSE score (prorated) less than 19 for black participants				Dem	No	No
3	N	ANY	uncollected	uncollected	NL	No	No
4	Y or Y due to missing	0	uncollected	uncollected	NL	No	No
5	Y or Y due to missing	1 failed OR at least 1 missing	0, missing	≤5, missing	MCI	Yes	Yes
6	Y or Y due to missing	1 failed OR at least 1 missing	0	>5	Prob MCI	Yes	Yes
7	Y or Y due to missing	1 failed OR at least 1 missing	>0 but ≤3	≤5, missing	MCI	Yes	Yes
8	Y or Y due to missing	1 failed OR at least 1 missing	>0 but ≤3	>5	Prob MCI	Yes	Yes
9	Y or Y due to missing	1 failed OR at least 1 missing	>3	≤5	Prob Dem	Yes	Yes
10	Y or Y due to missing	1 failed OR at least 1 missing	>3	>5, missing	Prob Dem	Yes	Yes
11	Y or Y due to missing	>1	0, missing	≤5, missing	MCI	Yes	Yes
12	Y or Y due to missing	>1	0	>5	Prob MCI	Yes	Yes
13	Y or Y due to missing	>1	>0 but ≤3	≤5	MCI	Yes	Yes
14	Y or Y due to missing	>1	>0 but ≤3	>5, missing	Prob MCI	Yes	Yes
15	Y or Y due to missing	>1	>3	≤5	Prob Dem	Yes	Yes
16	Y or Y due to missing	>1	>3	>5, missing	Dem	Yes	Yes

6.1 MISSEDDMMSEITEMS&v.1 (V&v. Number of missing MMSE items)

Description: Numeric variable describing the number of missing MMSE items.

Type: Numeric

Algorithm: *CALCULATE FOR &v=5, 6, 7;
=nmiss(MME1,MME2,MME3,MME4,MME5,MME6,MME7,MME8,MME9,MME10,MME11,MME12,MME13,MME14,MME15,MME16,MME17,MME18,MME19,MME20,MME21,MME22,MME23,MME24,MME25,MME26,MME27,MME28,MME29,MME30)

Source variable(s): MME1,MME2,MME3,MME4,MME5,MME6,MME7,MME8,MME9,MME10,MME11,MME12,MME13,MME14,MME15,MME16,MME17,MME18,MME19,MME20,MME21,MME22,MME23,MME24,MME25,MME26,MME27,MME28,MME29,MME30

6.2 PRORATEDMMSE&v.2 (V&v. Pro-rated MMSE score ver2, [(30 * MME score) / (30 – number skipped due to non-cognitive reasons)], NULL if too much missingness)

Description: Version 2 of numeric variable calculated from the number of correct responses on the Mini-Mental State Exam and the number of items not collected due to reasons other than cognitive ability.

Type: Numeric

Algorithm: *CALCULATE FOR &v=5, 6, 7;
If .<MISSEDDMMSEITEMS&v.1<7 then

PRORATEDMMSE&v.2=(30*(sum(MME1,MME2,MME3,MME4,MME5,MME6,MME7,MME8,MME9,MME10,MME11,MME12,MME13,MME14,MME15,MME16,MME17,MME18,MME19,MME20,MME21,MME22,MME23,MME24,MME25,MME26,MME27,MME28,MME29,MME30)))/(30- MISSEDDMMSEITEMS&v.1);
Else PRORATEDMMSE&v.2=NULL;
END;

Source variable(s): MME1,MME2,MME3,MME4,MME5,MME6,MME7,MME8,MME9,MME10,MME11,MME12,MME13,MME14,MME15,MME16,MME17,MME18,MME19,MME20,MME21,MME22,MME23,MME24,MME25,MME26,MME27,MME28,MME29,MME30

6.3 COGDIAG&v.1 (&v.1 NCS Cognitive Status Diagnosis)

Description: Categorical variable that combines the information from the reviewer's cognitive diagnosis and the computer-determined MCI/dementia syndromic diagnosis.

Format: N (normal), U (unknown/uncertain), M (mild cognitive impairment), and D (dementia)

Type: Character

Algorithm: Calculate for &v.=5, 6, 7, 8, 8t:

COGDIAG&v.1 is the classification committee's diagnosis (REVIEWERSYND&v.1) for PPT's who have been selected to stage 2, otherwise the value assigned is determined from ALGDX&v.1 (N=0,1; M=3,5; D=4,6; U=2).

Source variable(s): REVIEWERSYND&v.1, ALGDX&v.1

6.4 REVISEDROW51 (Row from syndromic dx) (Visit 5 only)

Type: Character

Algorithm: Categorical variable equal to the value in the 'ROW' column in Table 1 above.

Source variable(s): NSS6, NSS11, CDS7, FAQ51, PRORATEDMMSE51, RACEGRP

6.5 ALGDXSTRATUM&v.1 (Row from syndromic dx)

Type: Numeric

Algorithm: Calculate for &v.=6,7,8t:

Categorical variable equal to the value in the 'STRATUM' column in Table 2 above.

7. LEVELED DEMENTIA DIAGNOSES

The Neurocognitive Committee created hierarchical, leveled dementia diagnosis variables based on multiple sources obtained at different points in time as depicted on the following page.

1. Level 1 – Dementia diagnosed based on neuropsychological tests administered in-person at Visit 5 (2011-2013), Visit 6 (2016-2017), Visit 7 (2018-2019), and Visit 8 (2020) or over the phone at Visit 8 (2020).
2. Level 2a – Dementia additionally determined from the education-adjusted Telephone Interview for Cognitive Status (TICS) or a combination of the Clinical Dementia Rating (CDR) scale and the Functional Activities Questionnaire (FAQ).
3. Levels 2b and 2c – Dementia additionally determined from the Six Item Screener (SIS) or Eight Item Dementia Screening Interview (AD8).
4. Level 3 – Dementia additionally determined from the surveillance data documenting dementia-related hospitalizations and deaths.

Each variable has a corresponding variable for days of follow up from visit 1 to the date of diagnosis and an indicator for the source of the diagnosis. If the PPT has a dementia diagnosis, the diagnosis date corresponds to the earliest date dementia was detected.

The sequential order utilized for dementia ascertainment is (1) reviewer diagnosis based on neuropsychological tests, (2) algorithmic diagnosis based on neuropsychological tests, (3) education-adjusted TICS, (4) the CDR and FAQ from an informant interview, (5) AD8 result, (6) two SIS results, (7) one SIS result if PPT is lost to follow up or deceased, (8) hospitalization discharge codes, and (9) death certificate codes. The algorithms for dementia ascertainment are complicated and contain temporary variables depicted in Appendix A. Each algorithm also has a graphical depiction.

Two additional dementia diagnosis variables have been provided for sensitivity analyses. The first variable incorporates information from Levels 2a, 2b, and 2c but not Levels 1 or 3. This variable represents incident dementia determined solely from informant interviews and the phone-based education-adjusted TICS, SIS, and AD8. The second variable only incorporates information from Level 3 and represents incident dementia determined solely from medical records and death certificates. The purpose of these variables is to facilitate comparisons between ARIC and other studies that may only use phone-based assessments or surveillance data to ascertain incident dementia.

Timing of Sources Utilized to Ascertain Dementia

	87	88	89	90	91	92	93	94	95	96	97	98	99	00	01	02	03	04	05	06	07	08	09	10	11	12	13	14	15	16	17	18	19	20
In-Person Visits		1		2			3			4															5				6		7		8	
Annual Follow-Up Assessments																																		
Semi-Annual Follow-Up Assessments																																		
Diagnosis from In-Person Neuropsychological Tests																																		
Diagnosis from Phone-Based Neuropsychological Tests																																		
Phone-Based Education-adjusted Telephone Interview for Cognitive Status (TICS)																																		
Phone-Based Informant Interview with Clinical Dementia Rating (CDR) and Functional Activities Questionnaire (FAQ)																																		
Six Item Screener (SIS)																																		
Eight Item Dementia Screening Interview (AD8)																																		
Hospitalization Discharge Codes																																		
Death Certificate Codes																																		

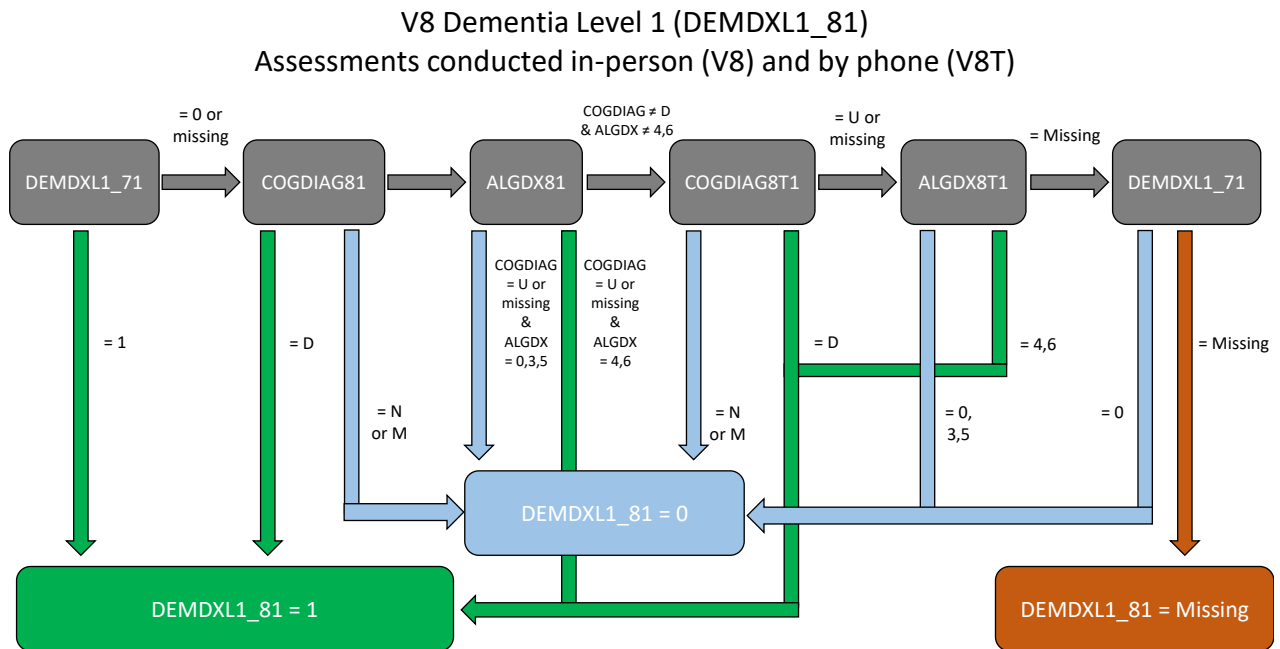
"J:\ARIC\Statistics\Data Documentation\Visits\Visit 8 Telephone\Supporting Documentation\Level Dementia Variables\Timeline of Assessments.xlsx" created by jpjike on 7/29/2022

Level 1

The level 1 variable for dementia diagnosis (**DEMDXL1_81**) is available for those PPTs who completed an in-person or phone-based neuropsychological assessment. The evaluation procedure for determining cognitive status is described in **Manual 17**. Briefly, cognitive, behavioral, and functional assessments were conducted and an algorithmic diagnosis was generated. When the algorithm identified incident MCI or dementia, reviewers evaluated diagnostic materials and rendered an additional diagnosis. The reviewer diagnosis superseded the algorithmic diagnosis.

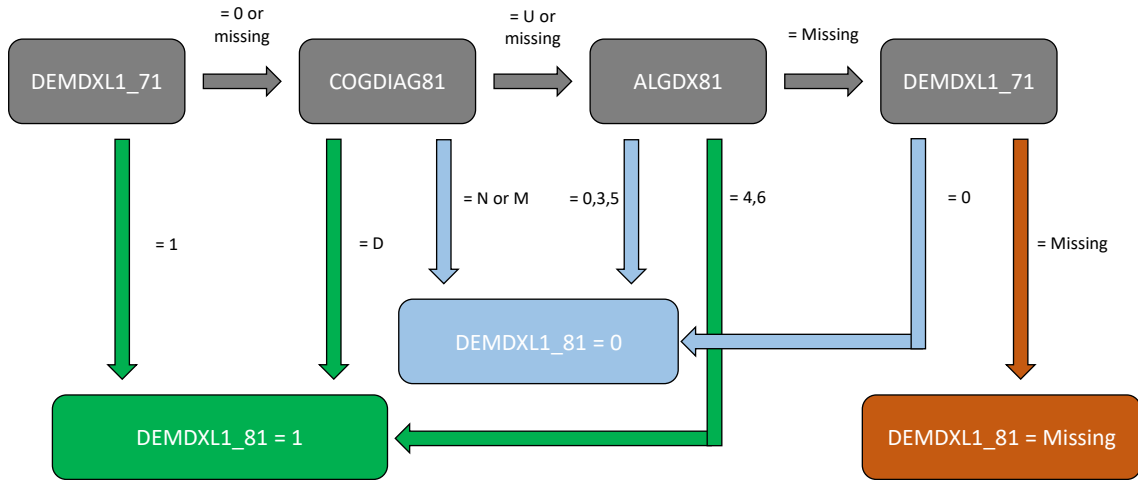
Dementia cases ascertained from in-person assessments are carried forward to subsequent assessments. Dementia cases ascertained from phone-based assessments are carried forward unless a subsequent in-person assessment renders a diagnosis of MCI or normal. A conflicting reviewer diagnosis based on an in-person assessment supersedes a prior reviewer or algorithmic diagnosis generated from a phone-based assessment.

If a participant had an initial in-person assessment in 2020 (V8) and a subsequent phone-based assessment in 2020 (V8T), then two diagnoses were generated. The first diagnosis was rendered using data from the in-person assessment and was defined as occurring on the date of the in-person assessment. The second diagnosis was rendered using data from the in-person and phone-based assessments and was defined as occurring on the date of the phone-based assessment. If only one assessment was performed during Visit 8 then the date and data from that assessment was used to determine the diagnosis.



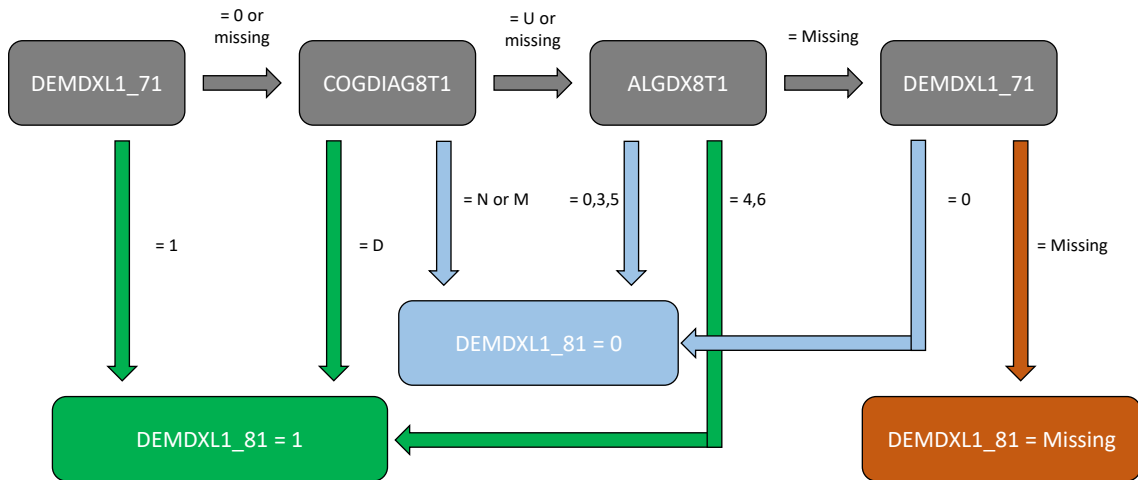
"J:\ARIC\Statistics\Data Documentation\Visits\Visit 8 Telephone\Supporting Documentation\Level Dementia Variables\DEMDX Flow Chart 2203022.pptx", created by jpjike on 3/22/2022

V8 Dementia Level 1 (DEMDXL1_81)
One assessment conducted in-person (V8)



"J:\ARIC\Statistics\Data Documentation\Visits\Visit 8 Telephone\Supporting Documentation\Level Dementia Variables\DEMDX Flow Chart 2203022.pptx", created by jpike on 3/22/2022

V8 Dementia Level 1 (DEMDXL1_81)
One assessment conducted by phone (V8T)



"J:\ARIC\Statistics\Data Documentation\Visits\Visit 8 Telephone\Supporting Documentation\Level Dementia Variables\DEMDX Flow Chart 2203022.pptx", created by jpike on 3/22/2022

7.1 DEMDXL1_81 (Dementia diagnosis level 1)

Description: Indicator variable for dementia based on (1) reviewer diagnosis (COGDIAG81 or COGDIAG8T1) and (2) algorithmic diagnosis (ALGDX81 or ALGDX8T1). Diagnoses are prioritized based on the order listed. A value of 1 indicates dementia (COGDIAG=D or ALGDX=4, 6). A value of 0 indicates normal or MCI (COGDIAG=N, M or ALGDX=0, 3, 5).

Format: 0=No, 1=Yes.

Type: Numeric

Algorithm:

```
If DEMDXL1_71=1 then DEMDXL1_81=1
Else if COGDIAG81= "D" then DEMDXL1_81=1
Else if COGDIAG81= ("M" or "N") then DEMDXL1_81=0
Else if COGDIAG81= ("U" or "") and ALGDX81 in (4,6) then
    DEMDXL1_81=1
Else if COGDIAG81= ("U" or "") and ALGDX81 in (0,3,5) then
    DEMDXL1_81=0
Else if COGDIAG81= ("U" or "") and ALGDX81=NULL and
    COGDIAG8T1="D" then DEMDXL1_81=1
Else if COGDIAG81= ("U" or "") and ALGDX81=NULL and
    COGDIAG8T1=("M" or "N") then DEMDXL1_81=0
Else if COGDIAG81= ("U" or "") and ALGDX81=NULL and
    COGDIAG8T1=("U" or "") and ALGDX8T1 in (4,6) then
    DEMDXL1_81=1
Else if COGDIAG81= ("U" or "") and ALGDX81=NULL and
    COGDIAG8T1=("U" or "") and ALGDX8T1 in (0,3,5) then
    DEMDXL1_81=0
Else if COGDIAG81= ("U" or "") and ALGDX81=NULL and
    COGDIAG8T1=("U" or "") and ALGDX8T1=NULL and
    DEMDXL1_71=0 then DEMDXL1_81=0
Else DEMDXL1_81=NULL
```

Source variable(s): DEMDXL1_71, COGDIAG81, COGDIAG8T1, ALGDX81, ALGDX8T1

7.2 DATE_DEMDXL1_81_FollowUpDays (Days of follow up from visit 1 to Date for dementia diagnosis level 1)

Description: Days of follow up from visit 1 to the date of diagnosis associated with DEMDXL1_81. For PPTs with dementia (DEMDXL1_81=1) the date corresponds to a neuropsychological assessment or the earliest hospitalization date with a dementia code.

Type: Numeric

Algorithm:

For those PPTs with non-missing DEMDXL1_81:

If DEMDXL1_71=1 then DATE_DEMDXL1_81_FollowUpDays is the number of days between visit 1 and the visit 7 date for dementia diagnosis level 1.

Else if COGDIAG81='D' then do;

if DEMDXL2c_72=1 then DATE_DEMDXL_81_FollowUpDays is the number of days between visit 1 and the visit 7 date for dementia diagnosis level 2c.

Else if DEMDXL2c_72=0 then do;

if (dementedcel81=1 and ((dementedcel81_date_cond <= visit 7 date for dementia diagnosis level 2c) or (visit 7 date for dementia diagnosis level 2c is missing) and dementedcel81_date_cond < '01SEP2013'd))) or dementedcel81=NULL then
DATE_DEMDXL1_81_FollowUpDays is the number of days between visit 1 and visit 8 date.

else if dementedcel81=1 and (.z< visit 7 date for dementia diagnosis level 2c <dementedcel81_date_cond or (visit 7 date for dementia diagnosis level 2c is missing and dementedcel81_date_cond >= '01SEP2013'd)) then
DATE_DEMDXL1_81_FollowUpDays is the number of days between visit 1 and min(visit 8 date, dementedcel81_date_cond);

End;

Else DATE_DEMDXL1_81_FollowUpDays is the number of days between visit 1 and min(visit 8 date, dementedcel81_date1);

End;

Else if COGDIAG8T1 in ('N', 'M') then DATE_DEMDXL1_81_FollowUpDays is the number of days between visit 1 and visit 8 telephone date.

Else if COGDIAG81 in ('N', 'M') then DATE_DEMDXL1_81_FollowUpDays is the number of days between visit 1 and visit 8.

Else if COGDIAG81 in ('U', '') or COGDIAG8T1 in ("U", "") then do;

if algdx81 in (4,6) then do;

If demdxl2c_72=1 then date_demdxl1_81_FollowUpDays is the number of days between visit 1 and visit 7 date for dementia diagnosis level 2c.

Else if demdxl2c_72=0 then do;

If (dementedcel81=1 and ((dementedcel81_date_cond <= visit 7 date for dementia diagnosis level 2a) or (visit 7


```

date for dementia diagnosis level 2c is missing and
dementedcel81_date_cond < '01SEP13'd))) or
dementedcel81=. then date_demdxl1_81_FollowUpDays
is the number of days from visit 1 to visit 8.
Else if dementedcel81=1 and (.z< visit 7 date for
dementia diagnosis level 2a
<dementedcel81_date_cond or (visit 7 date for dementia
diagnosis level 2a is missing and
dementedcel81_date_cond >= '01SEP13'd)) then
date_demdxl1_81_FollowUpDays is the number of days
between visit 1 and min(visit 8 date,
dementedcel81_date_cond);
end;
Else date_demdxl1_81_FollowUpDays is the number of days
between visit 1 and min(visit 8 date,dementedcel81_date1);
End;

ELSE if algdx8t1 in (4,6) then do;
if demdxl2c_72=1 then
date_demdxl1_81_FollowUpDays is the number of days
between visit 1 and visit 7 date for dementia diagnosis
level 2c.
Else if demdxl2c_72=0 then do;
If (dementedcel81=1 and
((dementedcel81_date_cond <= visit 7 date for
dementia diagnosis level 2a) or (visit 7 date for
dementia diagnosis level 2c is missing and
dementedcel81_date_cond < '01SEP13'd))) or
dementedcel81=. then
date_demdxl1_81_FollowUpDays is the number
of days between visit 1 and visit 8 telephone.
Else if dementedcel81=1 and (.z< visit 7 date for
dementia diagnosis level 2a
<dementedcel81_date_cond or (visit 7 date for
dementia diagnosis level 2a is missing and
dementedcel81_date_cond >= '01SEP13'd)) then
date_demdxl1_81_FollowUpDays is the number
of days between visit 1 and min(visit 8 telephone,
dementedcel81_date_cond);
End;
Else date_demdxl1_81_FollowUpDays is the number of
days between visit 1 and min(visit 8 telephone, visit 8,
dementedcel81_date1);
End;
Else if algdx81 in (0,3,5) and algdx8T1 in (0,3,5) then
DATE_DEMDXL1_81_FollowUpDays is the number of days between
visit 1 and max(visit 8, visit 8 telephone).

```

Else if algdx8T1 in (0,3,5) then DATE_DEMDXL1_81_FollowUpDays is the number of days between visit 1 and visit 8 telephone.
Else if algdx81 in (0,3,5) then DATE_DEMDXL1_81_FollowUpDays is the number of days between visit 1 and visit 8.

If COGDIAG8T1 is missing and COGDIAG81 is missing and ALGDX81 is NULL and ALGDX8T1 is NULL and DEMDXL1_71=0 then DATE_DEMDXL1_81_FollowUpDays is the number of days between visit 1 and visit 7 date for dementia diagnosis level 1.

For those PPTs missing DEMDXL1_81:
DATE_DEMDXL1_81_FollowUpDays=missing

Source variable(s): visit 1 date, DEMDXL1_71, visit 7 date for dementia diagnosis level 1, DEMDXL2a_72, visit 7 date for dementia diagnosis level 2a, DEMDXL2c_72, visit 7 date for dementia diagnosis level 2c, COGDIAG81, ALGDX81, COGDIAG8T1, ALGDX8T1, visit 8 date, visit 8 telephone date, DEMENTEDCEL81, DEMENTEDCEL81_DATE_COND, DEMENTEDCEL81_DATE1

7.3 SOURCE_DEMDXL1_81 (Diagnosis and date source for DATE_DEMDXL1_81)

Description: Source variable created to indicate the diagnosis and date source used in DATE_DEMDXL1_81_FollowUpDays.

Type: Character

Algorithm: If DEMDXL1_81=missing then SOURCE_DEMDXL1_81=missing

ELSE IF the diagnosis occurred at V7 (DEMDXL1_71=1) then
SOURCE_DEMDXL1_81=SOURCE_DEMDXL1_71

ELSE IF COGDIAG81 = "D" then do:
SOURCE_DEMDXL1_81="V8" if
DATE_DEMDXL1_81_FollowUpDays is the days of follow up from visit 1 to visit 8 date.
OR="V8+HOSP" if DATE_DEMDXL1_81_FollowUpDays is the days of follow up from visit 1 to DEMENTEDCEL81_DATE_COND or DEMENTEDCEL81_DATE1.
OR="V8+"||strip(source_demdxl2a_72) if
DATE_DEMDXL1_81_FollowUpDays is the days of follow up from visit 1 to visit 7 date for dementia diagnosis level 2a.
OR="V8+"||strip(source_demdxl2c_72) if
DATE_DEMDXL1_81_FollowUpDays is the days of follow up from visit 1 to visit 7 date for dementia diagnosis level 2c.
End;

```

Else if COGDIAG8T1 = "D" then do:
  SOURCE_DEMDXL1_81="V8T" if
  DATE_DEMDXL1_81_FollowUpDays is the days of follow up
  from visit 1 to visit 8T date.
  OR="V8T+HOSP" if DATE_DEMDXL1_81_FollowUpDays is
  the days of follow up from visit 1 to
  DEMENTEDCEL81_DATE_COND or
  DEMENTEDCEL81_DATE1.
  OR="V8T+"||strip(source_demdxl2a_72) if
  DATE_DEMDXL1_81_FollowUpDays is the days of follow up
  from visit 1 to visit 7 date for dementia diagnosis level 2a.
  OR="V8T+"||strip(source_demdxl2c_72) if
  DATE_DEMDXL1_81_FollowUpDays is the days of follow up
  from visit 1 to visit 7 date for dementia diagnosis level 2c.
  End;
END;

Else if COGDIAG8T1 in ('N', 'M') then
SOURCE_DEMDXL1_81="V8T";

Else if COGDIAG81 in ('N', 'M') then SOURCE_DEMDXL1_81="V8";

Else if COGDIAG81 in ('U', '') or COGDIAG8T1 in ('U', '') then do;
  If algdx81 in (4,6) then do;
    SOURCE_DEMDXL1_81="V8" if
    DATE_DEMDXL1_81_FollowUpDays is the days of
    follow up from visit 1 to visit 8 date.

    OR="V8+HOSP" if DATE_DEMDXL1_81_FollowUpDays
    is the days of follow up from visit 1 to
    DEMENTEDCEL81_DATE_COND or
    DEMENTEDCEL81_DATE1.

    OR="V8+"||strip(source_demdxl2a_72) if
    DATE_DEMDXL1_81_FollowUpDays is the days of
    follow up from visit 1 to visit 7 date for dementia
    diagnosis level 2a.

    OR="V8+"||strip(source_demdxl2c_72) if
    DATE_DEMDXL1_81_FollowUpDays is the days of
    follow up from visit 1 to visit 7 date for dementia
    diagnosis level 2c.
  End;
  ELSE if algdx81 in (4,6) then do;
    SOURCE_DEMDXL1_81="V8T" if
    DATE_DEMDXL1_81_FollowUpDays is the days
    of follow up from visit 1 to visit 8T date.

```

OR="V8T+HOSP" if
DATE_DEMDXL1_81_FollowUpDays is the days
of follow up from visit 1 to
DEMENTEDCEL81_DATE_COND or
DEMENTEDCEL81_DATE1.

OR="V8T+"||strip(source_demdxl2a_72) if
DATE_DEMDXL1_81_FollowUpDays is the days
of follow up from visit 1 to visit 7 date for dementia
diagnosis level 2a.

OR="V8T+"||strip(source_demdxl2c_72) if
DATE_DEMDXL1_81_FollowUpDays is the days
of follow up from visit 1 to visit 7 date for dementia
diagnosis level 2c.
End;

Else if ALGDX81 in (0,3,5) and ALGDX8T1 in (0,3,5) then do;
If DATE_DEMDXL1_81_FollowUpDays is the days of
follow up from visit 1 to visit 8 date then
SOURCE_DEMDXL1_81="V8";

Else if DATE_DEMDXL1_81_FollowUpDays is the days
of follow up from visit 1 to visit 8T date then
SOURCE_DEMDXL1_81="V8T";

End;

Else if algdx8T1 in (0,3,5) then
SOURCE_DEMDXL1_81="V8T";
Else if algdx81 in (0,3,5) then SOURCE_DEMDXL1_81="V8";

END;

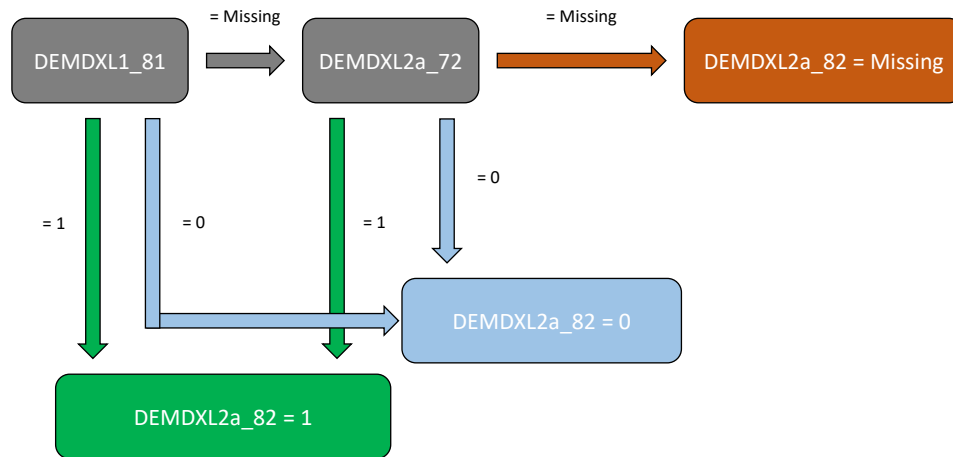
IF COGDIAG81 is missing and COGDIAG8T1 is missing and
ALGDX81 is NULL and ALGDX8T1 is NULL and DEMDXL1_71=0
then SOURCE_DEMDXL1_81=SOURCE_DEMDXL1_71

Source variable(s): visit 1 date, visit 8 date, visit 8T date, DEMDXL1_81,
DATE_DEMDXL1_81_FollowUpDays, DEMDXL1_71,
SOURCE_DEMDXL1_71, SOURCE_DEMDXL2a_72,
SOURCE_DEMDXL2c_72, ALGDX81, ALGDX8T1, COGDIAG81,
COGDIAG8T1, DEMENTEDCEL81_DATE_COND,
DEMENTEDCEL81_DATE1

Level 2a

For PPTs known to be alive who did not complete a neuropsychological assessment, dementia was ascertained using the education-adjusted Telephone Interview for Cognitive Status (TICS) administered at Visit 5 or informant ratings from the Clinical Dementia Rating (CDR) scale and Functional Activities Questionnaire (FAQ). The algorithm that utilizes the CDR and FAQ is described in detail in **Manual 17**.

V8 Dementia Level 2a (DEMDXL2a_82)



"J:\ARIC\Statistics\Data Documentation\Visits\Visit 8 Telephone\Supporting Documentation\Level Dementia Variables\DEMDX Flow Chart 2203022.pptx", created by jpjike on 3/22/2022

7.4 DEMDXL2a_82 (Dementia diagnosis level 2a)

Description: Indicator variable for dementia based on (1) reviewer diagnosis, (2) algorithmic diagnosis, (3) education-adjusted TICS (≤ 23), and (4) the CDR (>3) and FAQ (>5) from an informant interview (see **Manual 17**). Diagnoses are prioritized based on the order listed.

Format: 0=No, 1=Yes.

Type: Numeric

Algorithm: For PPTs with DEMDXL1_81 in (0,1):
DEMDXL2a_82=DEMDXL1_81

For PPTs missing DEMDXL1_81:

If DEMDXL2a_72 in (0,1) then DEMDXL2a_82=DEMDXL2a_72;
Else if DEMDXL2a_72=NULL then DEMDXL2a_82=NULL

Source variable(s): DEMDXL2a_72, DEMDXL1_81

7.5 DATE_DEMDXL2a_82_FollowUpDays (Days of follow up from visit 1 to Date for dementia diagnosis level 2a)

Description: Days of follow up from visit 1 to date of diagnosis associated with DEMDXL2a_82. For PPTs with dementia (DEMDXL2a_82=1) the date corresponds to a neuropsychological assessment, the earliest hospitalization date with a dementia code, the date the TICS was administered, or the date an informant interview was conducted.

Type: Numeric

Algorithm: For PPTs with DEMDXL1_81=1 or (DEMDXL1_81=0 and SOURCE_DEMDXL1_81="V8" or "V8+DOD" or "V8T" or "V8T+DOD"):
DATE_DEMDXL2a_82_FollowUpDays =
DATE_DEMDXL1_81_FollowUpDays

For PPTs missing DEMDXL1_81 or (DEMDXL1_81=0 and SOURCE_DEMDXL1_81 in ("V5", "V6", "V7")):
DATE_DEMDXL2a_82_FollowUpDays is the number of days between visit 1 and visit 7 date for dementia diagnosis level 2a when DEMDXL2a_72 is 0 or 1

For deceased PPTs, if DATE_DEMDXL2a_82_FollowUpDays > DATEOFDEATH_FollowUpDays and SOURCE_DEMDXL1_81 is not "V8" or "V8T":
DATE_DEMDXL2a_82_FollowUpDays =
DATEOFDEATH_FollowUpDays

Source variable(s): DEMDXL1_81, SOURCE_DEMDXL1_81, DATE_DEMDXL1_81_FollowUpDays, DEMDXL2a_72, visit 7 date for dementia diagnosis level 2a, DATEOFDEATH_FollowUpDays

7.6 SOURCE_DEMDXL2a_82 (Diagnosis and date source for DATE_DEMDXL2a_82)

Description: Source variable created to indicate the diagnosis and date source used in DATE_DEMDXL2a_82_FollowUpDays.

Type: Character

Algorithm: For PPTs with DEMDXL1_81=1 or (DEMDXL1_81=0 and SOURCE_DEMDXL1_81="V8" or "V8+DOD" or "V8T" or "V8T+DOD"):
SOURCE_DEMDXL2a_82=SOURCE_DEMDXL1_81

For PPTs missing DEMDXL1_81 or (DEMDXL1_81=0 and SOURCE_DEMDXL1_81 in ("V5", "V6", "V7")):
SOURCE_DEMDXL2a_82=SOURCE_DEMDXL2a_72
when DEMDXL2a_72 is 0 or 1

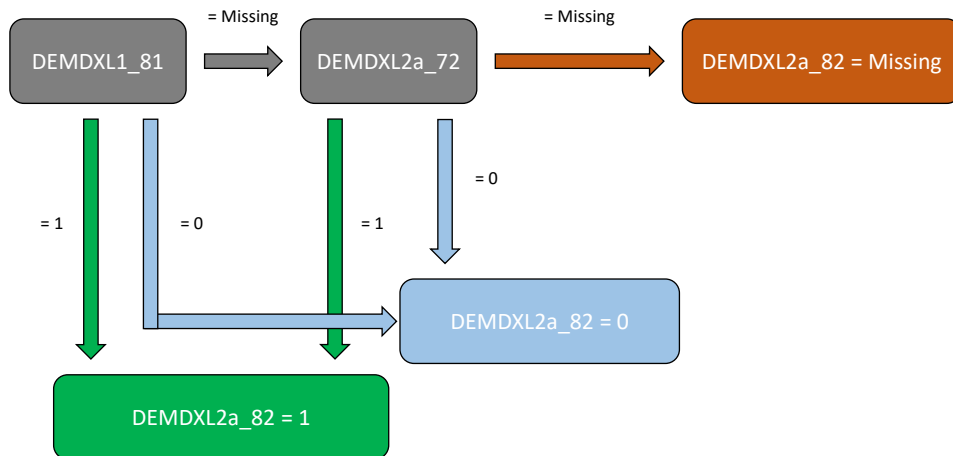
For deceased PPTs, if DATE_DEMDXL2a_82_FollowUpDays > DATEOFDEATH_FollowUpDays and SOURCE_DEMDXL1_81 is not "V8" or "V8T":
SOURCE_DEMDXL2a_82=strip(source_demdxl2a_82)||"+DOD"

Source variable(s): DEMDXL1_81, SOURCE_DEMDXL1_81, DEMDXL2a_72, SOURCE_DEMDXL2a_72, DATE_DEMDXL2a_82_FollowUpDays, DATEOFDEATH_FollowUpDays

Level 2b

For PPTs known to be alive who did not complete a neuropsychological assessment, TICS, or informant interview, dementia was ascertained using the Eight Item Dementia Screening Interview (AD8) or Six Item Screener (SIS). If level 2a was not present, the AD8 score was utilized. When AD8 was not available, two prorated SIS scores were utilized.

V8 Dementia Level 2a (DEMDXL2a_82)



"J:\ARIC\Statistics\Data Documentation\Visits\Visit 8 Telephone\Supporting Documentation\Level Dementia Variables\DEMDX Flow Chart 2203022.pptx", created by jpike on 3/22/2022

7.7 DEMDXL2b_82 (Dementia diagnosis level 2b)

Description: Indicator variable for dementia based on (1) reviewer diagnosis, (2) algorithmic diagnosis, (3) education-adjusted TICS (≤ 23), (4) the CDR (> 3) and FAQ (> 5) from an informant interview, (5) AD8 (≥ 2), and (6) SIS (≤ 3). Diagnoses are prioritized based on the order listed. Two failures of the SIS are required.

Format: 0=No, 1=Yes.

Type: Numeric

Algorithm: For PPTs with DEMDXL2a_82=1 or (DEMDXL2a_82=0 and SOURCE_DEMDXL2a_82="V8" or "V8+DOD" or "V8T" or "V8T+DOD"):
DEMDXL2b_82=DEMDXL2a_82

For PPTs with DEMDXL2a_82=(0 or missing) or (DEMDXL2a_82=0 and SOURCE_DEMDXL2a_82 not in ("V8" or "V8+DOD" or "V8T" or "V8T+DOD")) then do:

If COGDIAG81=("N" or "M") or ALGDX81 in (0,3,5) or
COGDIAG8T1=("N" or "M") or ALGDX8T1 in (0,3,5) then
DEMDXL2b_82=0

Else if AD8FAILURE=1 or SISFAILURECAT=2 then
DEMDXL2b_82=1

Else if AD8FAILURE=0 then DEMDXL2b_82=0

Else if SISFAILURECAT=0 then DEMDXL2b_82=0

Else if SISFAILURECAT=missing and DEMDXL2a_82=0 then
DEMDXL2b_82=0

Else if AD8FAILURE = NULL and SISFAILURECAT = (1 or 3) and
DEMDXL2a_82 = 0 then DEMDXL2b_82 = 0

Else DEMDXL2b_82=missing

Source variable(s): DEMDXL2a_82, COGDIAG81, COGDIAG8T1, ALGDX81, ALGDX8T1,
AD8FAILURE, SISFAILURECAT

7.8 **DATE_DEMDXL2b_82_FollowUpDays (Days of follow up from visit 1 to Date for dementia diagnosis level 2b)**

Description: Days of follow up from visit 1 to date of diagnosis associated with DEMDXL2b_82. For PPTs with dementia (DEMDXL2b_82=1) the date corresponds to a neuropsychological assessment, the earliest hospitalization date with a dementia code, the date the TICS was administered, the date an informant interview was conducted, the date of the AD8, or the date of the SIS.

Type: Numeric

Algorithm: If DEMDXL2b_82=missing then
DATE_DEMDXL2b_82_FollowUpDays is missing.

If DEMDXL2a_82=1 or (DEMDXL2a_82=0 and SOURCE_
DEMDXL2a_82 in ("V8", "V8+DOD" or "V8T" or "V8T+DOD")) then
DATE_DEMDXL2b_82_FollowUpDays =
DATE_DEMDXL2a_82_FollowUpDays.

Else if missing DEMDXL2a_82 or (DEMDXL2a_82=0 and SOURCE_
DEMDXL2a_82 not in ("V8", "V8+DOD" or "V8T" or "V8T+DOD")):
if AD8FAILURE=1 and SISFAILURECAT=2 then do;
 if demdxl2a_72=0 then do;

if (DEMENTEDCEL81=1 and
((dementedcel81_date_cond <= visit 7 date for dementia
diagnosis level 2a) or (visit 7 date for dementia diagnosis
level 2a is missing and dementedcel81_date_cond <
'01SEP2013'd))) or DEMENTEDCEL81=NULL then
DATE_DEMDXL2b_82_FollowUpDays is the number of
days between visit 1 and min(AD8FAILUREdate,
SISFAILUREDATE);

Else if DEMENTEDCEL81=1 and (.z< visit 7 date for
dementia diagnosis level 2a <
dementedcel81_date_cond or (visit 7 date for dementia
diagnosis level 2a is missing and
dementedcel81_date_cond >= '01SEP2013'd)) then
DATE_DEMDXL2b_82_FollowUpDays is the number of
days between visit 1 and min(AD8FAILUREdate,
SISFAILUREDATE, DEMENTEDCEL81_date_COND);

End;

Else DATE_DEMDXL2b_82_FollowUpDays is the number of
days between visit 1 and min(AD8FAILUREdate,
SISFAILUREDATE, DEMENTEDCEL81_Date1);

End;

Else if AD8FAILURE=1 and SISFAILURECAT ne 2 then do;

if demdxl2a_72=0 then do;

if (DEMENTEDCEL81=1 and
((dementedcel81_date_cond <= visit 7 date for dementia
diagnosis level 2a) or (visit 7 date for dementia diagnosis
level 2a is missing and dementedcel81_date_cond <
'01SEP2013'd))) or DEMENTEDCEL81=NULL then
DATE_DEMDXL2b_82_FollowUpDays is the number of
days between visit 1 and AD8FAILUREdate.

else if DEMENTEDCEL81=1 and (.z< visit 7 date for
dementia diagnosis level 2a
<dementedcel81_date_cond or (visit 7 date for dementia
diagnosis level 2a is missing and
dementedcel81_date_cond >= '01SEP2013'd)) then
DATE_DEMDXL2b_82_FollowUpDays is the number of
days between visit 1 and min(AD8FAILUREdate,
DEMENTEDCEL81_date_COND);

End;

Else DATE_DEMDXL2b_82_FollowUpDays is the days of
follow up from visit 1 to min(AD8FAILUREdate,
DEMENTEDCEL81_Date1);

End;

```

Else if AD8FAILURE NE 1 and SISFAILURECAT=2 then do;
  if demdxl2a_72=0 then do;
    if (DEMENTEDCEL81=1 and
      (dementedcel81_date_cond <= visit 7 date for dementia
      diagnosis level 2a or (visit 7 date for dementia diagnosis
      level 2a is missing and dementedcel81_date_cond <
      '01SEP2013'd))) or DEMENTEDCEL81=NULL then
      DATE_DEMDXL2b_82_FollowUpDays is the number of
      days between visit 1 and SISFAILUREDATE.

    else if DEMENTEDCEL81=1 and (.z< visit 7 date for
      dementia diagnosis level 2a
      <dementedcel81_date_cond or (visit 7 date for dementia
      diagnosis level 2a is missing and
      dementedcel81_date_cond >= '01SEP2013'd)) then
      DATE_DEMDXL2b_82_FollowUpDays is the number of
      days between visit 1 and min(SISFAILUREDATE,
      DEMENTEDCEL81_date_COND);
  end;

```

```

Else DATE_DEMDXL2b_82_FollowUpDays is the number of
days between visit 1 and the minimum value of
SISFAILUREDATE and DEMENTEDCEL81_DATE1;

```

```

End;
Else if AD8FAILURE=0 then DATE_DEMDXL2b_82_FollowUpDays is
the number of days between visit 1 and AD8FAILUREDATE.
Else if AD8FAILURE=NULL and SISFAILURECAT=0 then
DATE_DEMDXL2b_82_FollowUpDays is the number of days between
visit 1 and SISFAILUREDATE.
Else if AD8FAILURE=NULL and SISFAILURECAT= 1,3, or missing
and DEMDXL2a_82=0 then DATE_DEMDXL2b_82_FollowUpDays=
DATE_DEMDXL2a_82_FollowUpDays.

```

```

END;

```

```

For PPTs who have died:
if dateofdeath_FollowUpDays < date_demdxl2b_82_FollowUpDays
and source_demdxl1_81 ne "V8" then
date_demdxl2b_82_FollowUpDays=dateofdeath_FollowUpDays

```

Source variable(s): visit 1 date, DEMDXL2a_82, SOURCE_ DEMDXL2a_82, DATE_ DEMDXL2a_82_FollowUpDays, DEMDXL2b_82, DEMDXL2a_72, visit 7 date for dementia diagnosis level 2a, AD8FAILURE, AD8FAILUREDATE, DEMENTEDCEL81, DEMENTEDCEL81_DATE_COND, DEMENTEDCEL81_DATE1,

SISFAILURECAT, SISFAILUREDATE,
DATEOFDEATH_FollowUpDays

**7.9 SOURCE_DEMDXL2b_82 (Diagnosis and date source for
DATE_DEMDXL2b_82)**

Description: Source variable created to indicate the diagnosis and data source used in DATE_DEMDXL2b_82_FollowUpDays.

Type: Character

Algorithm: If DEMDXL2b_82=missing then SOURCE_DEMDXL2b_82=missing.

If DEMDXL2a_82=1 or (DEMDXL2a_82=0 and SOURCE_DEMDXL2a_82 in ("V8", "V8+DOD", "V8T", "V8T+DOD")) then SOURCE_DEMDXL2b_82=SOURCE_DEMDXL2a_82

Else if missing DEMDXL2a_82 or (DEMDXL2a_82=0 and SOURCE_DEMDXL2a_82 not in ("V8", "V8+DOD", "V8T", "V8T+DOD")):

If AD8FAILURE=1 and SISFAILURECAT=2:
SOURCE_DEMDXL2b_82="AD8" if
DATE_DEMDXL2b_82_FollowUpDays is the days of follow up from visit 1 to AD8FAILUREDATE OR

SOURCE_DEMDXL2b_82="2SIS" if
DATE_DEMDXL2b_82_FollowUpDays is the days of follow up from visit 1 to SISFAILUREDATE OR

SOURCE_DEMDXL2b_82="AD8+2SIS+HOSP" if
DATE_DEMDXL2b_82_FollowUpDays is the days of follow up from visit 1 to DEMENTEDCEL81_DATE_COND or DEMENTEDCEL81_Date1

Else if AD8FAILURE=1 and SISFAILURECAT NE 2:
SOURCE_DEMDXL2b_82="AD8+HOSP" if
DATE_DEMDXL2b_82_FollowUpDays is the days of follow up from visit 1 to DEMENTEDCEL81_DATE_COND or DEMENTEDCEL81_Date1 OR

SOURCE_DEMDXL2b_82="AD8" if
DATE_DEMDXL2b_82_FollowUpDays is the days of follow up from visit 1 to AD8FAILUREDATE

Else if AD8FAILURE NE 1 and SISFAILURECAT=2 then
SOURCE_DEMDXL2b_82="2SIS+HOSP" if

DATE_DEMDXL2b_82_FollowUpDays is the days of follow up from visit 1 to DEMENTEDCEL81_DATE_COND or DEMENTEDCEL81_Date1 OR

SOURCE_DEMDXL2b_82="2SIS" if DATE_DEMDXL2b_82_FollowUpDays is the days of follow up from visit 1 to SISFAILUREDATE

Else if AD8FAILURE=0 then SOURCE_DEMDXL2b_82= "AD8"

Else if AD8FAILURE=NULL and SISFAILURECAT=0 then SOURCE_DEMDXL2b_82="2SIS"

Else if AD8FAILURE=NULL and SISFAILURECAT= 1,3, or missing and DEMDXL2a_82=0 then SOURCE_DEMDXL2b_82= SOURCE_DEMDXL2a_82

For PPTs who have died:

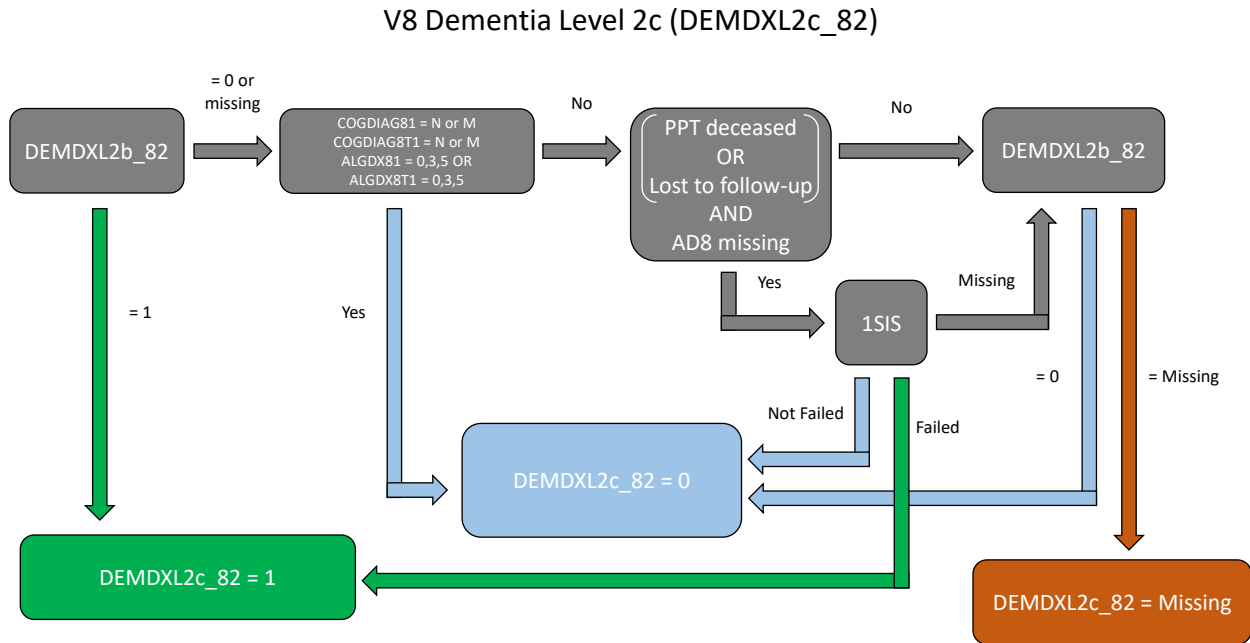
if dateofdeath_FollowUpDays < date_demdxl2b_82_FollowUpDays and source_demdxl1_81 ne ("V8", "V8T") then SOURCE_DEMDXL2b_82= strip(SOURCE_DEMDXL2b_82)||"+DOD"

If DATEOFDEATH_FollowUpDays is present and DATE_DEMDXL2B_82_FollowUpDays > (DATEOFDEATH_FollowUpDays-180) and SOURCE_DEMDXL2B_82 is missing then SOURCE_DEMDXL2B_82="DTH+DOD"

Source variable(s): visit 1 date, DEMDXL2a_82, SOURCE_DEMDXL2a_82, DATE_DEMDXL2a_82_FollowUpDays, DEMDXL2b_82, AD8FAILURE, AD8FAILUREDATE, SISFAILURECAT, SISFAILUREDATE, DEMENTEDCEL81_DATE_COND, DEMENTEDCEL81_Date1, DATEOFDEATH_FollowUpDays

Level 2c

For PPTs who were lost to follow up or deceased, dementia was ascertained from the SIS. If level 2b was not present, an AD8 score was not available, and the PPT was lost to follow up or deceased, then the value assigned was based on a single prorated SIS score.



"J:\ARIC\Statistics\Data Documentation\Visits\Visit 8 Telephone\Supporting Documentation\Level Dementia Variables\DEMDX Flow Chart 2203022.pptx", created by jpike on 3/22/2022

7.10 DEMDXL2c_82 (Dementia diagnosis level 2c)

Description: Indicator variable for dementia based on (1) reviewer diagnosis, (2) algorithmic diagnosis, (3) education-adjusted TICS, (4) the CDR and FAQ from an informant interview, (5) AD8, and (6) SIS. Diagnoses are prioritized based on the order listed. Two failures of the SIS (≤ 3) are required unless the PPT is lost to follow up or deceased in which case a single failed SIS is utilized to ascertain dementia.

Format: 0=No, 1=Yes.

Type: Numeric

Algorithm: For PPTs with DEMDXL2b_82=1 or (DEMDXL2b_82=0 and SOURCE_DEMDXL2b_82 in ("V8", "V8+DOD", "V8T", "V8T+DOD")):
DEMDXL2c_82=DEMDXL2b_82

For PPTs with DEMDXL2b_82=(0, missing) or (DEMDXL2b_82=0 and SOURCE_DEMDXL2b_82 NOT in ("V8", "V8+DOD", "V8T", "V8T+DOD")):

If (COGDIAG81="M" or "N") or ALGDX81 in (0,3,5) or
COGDIAG8T1="M" or "N") or ALGDX8T1 in (0,3,5)) then
DEMDXL2c_82=0

Else do:

If AD8FAILURE=NULL AND (NULL<[ADER] date of
death<=04DEC2020 OR (ICT1=0 AND NULL<ICT form
date<=04DEC2020)) and SISFAILURECAT=1 then DEMDXL2c_82=1

Else if AD8FAILURE=NULL AND (NULL<[ADER] date of
death<=04DEC2020 OR (ICT1=0 AND NULL<ICT form
date<=04DEC2020)) and SISFAILURECAT=0 then DEMDXL2c_82=0

Else do:

If DEMDXL2b_82=0 then DEMDXL2c_82=0

Else DEMDXL2c_82=NULL

End;

End;

Source variable(s): DEMDXL2b_82, SOURCE_DEMDXL2b_82, SISFAILURECAT,
AD8FAILURE, [ADER] date of death, ICT1, ICT form date,
COGDIAG81, COGDIAG8T1, ALGDX81, ALGDX8T1

7.11 DATE_DEMDXL2c_82_FollowUpDays (Days of follow up from visit 1 to Date for dementia diagnosis level 2c)

Description: Days of follow up from visit 1 to date of diagnosis associated with DEMDXL2c_82. For PPTs with dementia (DEMDXL2c_82=1), the date corresponds to a neuropsychological assessment, the earliest hospitalization date with a dementia code, the date the TICS was administered, the date an informant interview was conducted, the date of the AD8, or the date of the SIS.

Type: Numeric

Algorithm: If DEMDXL2c_82=missing then
DATE_DEMDXL2c_82_FollowUpDays=missing

For PPTs with DEMDXL2b_82=1 or (DEMDXL2b_82=0 and
SOURCE_DEMDXL2b_82 in ("V8", "V8+DOD", "V8T", "V8T+DOD")):
DATE_DEMDXL2c_82_FollowUpDays =
DATE_DEMDXL2b_82_FollowUpDays.

For PPTs with DEMDXL2b_82=(0, NULL) or (DEMDXL2b_82=0 and SOURCE_DEMDXL2b_82 not in ("V8", "V8+DOD", "V8T", "V8T+DOD")):

If COGDIAG8T1=("M" or "N") or ALGDX8T1 in (0,3,5) then
DATE_DEMDXL2c_82_FollowUpDays is the number of days between
visit 1 and visit 8T date.

Else If COGDIAG81=("M" or "N") or ALGDX81 in (0,3,5) then
DATE_DEMDXL2c_82_FollowUpDays is the number of days between
visit 1 and visit 8 date.

Else do;

If SISFAILURECAT=1 and AD8FAILURE=NULL AND (NULL<[ADER]
date of death<=04DEC2020 OR (ICT1=0 AND NULL<ICT form
date<=04DEC2020)) then do;

 if demdxl2a_72=0 then do;

 if (dementedcel81=1 and ((dementedcel81_date_cond
<= visit 7 date for dementia diagnosis level 2a) or (visit 7
date for dementia diagnosis level 2a is missing and
dementedcel81_date_cond < '01SEP2013'd))) or
dementedcel81=NULL then

 DATE_DEMDXL2c_82_FollowUpDays is the number of
days between visit 1 and SISFAILUREDATE.

 else if dementedcel81=1 and (.z< visit 7 date for
dementia diagnosis level 2a
<dementedcel81_date_cond or (visit 7 date for dementia
diagnosis level 2a is missing and
dementedcel81_date_cond >= '01SEP2013'd)) then
 DATE_DEMDXL2c_82_FollowUpDays is the number of
days between visit 1 and min(SISFAILUREDATE,
DEMENTEDCEL81_DATE_COND);

 end;

 Else DATE_DEMDXL2c_82_FollowUpDays is the number of
days between visit 1 and min(SISFAILUREDATE,
DEMENTEDCEL81_Date1);

End;

Else if source_demdxl2b_82 in ('2SIS', 'AD8') then
DATE_DEMDXL2c_82_FollowUpDays =
date_DEMDXL2b_82_FollowUpDays.

Else if SISFAILURECAT=0 and AD8FAILURE=NULL AND
((NULL<[ADER] date of death<=04DEC2020) OR (ict1=0 and
NULL<ICT form date<=04DEC2020)) then

DATE_DEMDXL2c_82_FollowUpDays is the number of days between visit 1 and SISFAILUREDATE.

Else if DEMDXL2b_82=0 then DATE_DEMDXL2c_82_FollowUpDays = DATE_DEMDXL2b_82_FollowUpDays.

End;

For PPTs who have died:
if dateofdeath_FollowUpDays < date_demdxl2c_82_FollowUpDays
and source_demdxl1_81 NE ("V8", "V8T") then
DATE_DEMDXL2c_82_FollowUpDays=dateofdeath_FollowUpDays.

Source variable(s): visit 1 date, DEMDXL2c_82, DEMDXL2b_82, SOURCE_DEMDXL2b_82, DATE_DEMDXL2b_82_FollowUpDays, COGDIAG8T1, ALGDX8T1, DEMDXL2a_72, visit 7 date for dementia diagnosis level 2a, SISFAILURECAT, AD8FAILURE, [ADER] date of death, ICT1, ICT form date, SISFAILUREDATE, DEMENTEDCEL81, DEMENTEDCEL81_DATE_COND, DEMENTEDCEL81_Date1, SOURCE_DEMDXL1_81, DATEOFDEATH_FollowUpDays

7.12 SOURCE_DEMDXL2c_82 (Diagnosis and date source for DATE_DEMDXL2c_82)

Description: Source variable created to indicate the diagnosis and data source used in DATE_DEMDXL2c_82_FollowUpDays.

Type: Character

Algorithm: If DEMDXL2c_82=missing then SOURCE_DEMDXL2c_82=missing.

For PPTs with DEMDXL2b_82=1 or (DEMDXL2b_82=0 and SOURCE_DEMDXL2b_82 in ("V8", "V8+DOD", "V8T", "V8T+DOD")):
SOURCE_DEMDXL2c_82= SOURCE_DEMDXL2b_82

For PPTs with DEMDXL2b_82=(0, NULL) or (DEMDXL2b_82=0 and SOURCE_DEMDXL2b_82 not in ("V8", "V8+DOD", "V8T", "V8T+DOD")):

If COGDIAG8T1=("M" or "N") or ALGDX8T1 in (0,3,5) then
SOURCE_DEMDXL2c_82= "V8T";

Else If COGDIAG81=("M" or "N") or ALGDX81 in (0,3,5) then
SOURCE_DEMDXL2c_82= "V8";

Else if SISFAILURECAT=1 and AD8FAILURE=NULL AND (NULL<[ADER] date of death<=04DEC2020 OR (ICT1=0 AND NULL<ICT form date<=04DEC2020)) then

SOURCE_DEMDXL2c_82= "1SIS" if
DATE_DEMDXL2c_82_FollowUpDays is the days of follow up from
visit 1 to SISFAILUREDATE
OR ="1SIS+HOSP" if DATE_DEMDXL2c_82_FollowUpDays is the
days of follow up from visit 1 to DEMENTEDCEL81_DATE_COND or
DEMENTEDCEL81_Date1

Else if SOURCE_DEMDXL2b_82 in ("2SIS", "AD8") then
SOURCE_DEMDXL2c_82=SOURCE_DEMDXL2b_82

Else if SISFAILURECAT=0 and AD8FAILURE=NULL AND
((NULL<[ADER] date of death<=04DEC2020) OR (ICT1=0 and
NULL<ICT form date<=04DEC2020)) then
SOURCE_DEMDXL2c_82= "1SIS"
Else if DEMDXL2b_82=0 then
SOURCE_DEMDXL2c_82=SOURCE_DEMDXL2b_82
End;

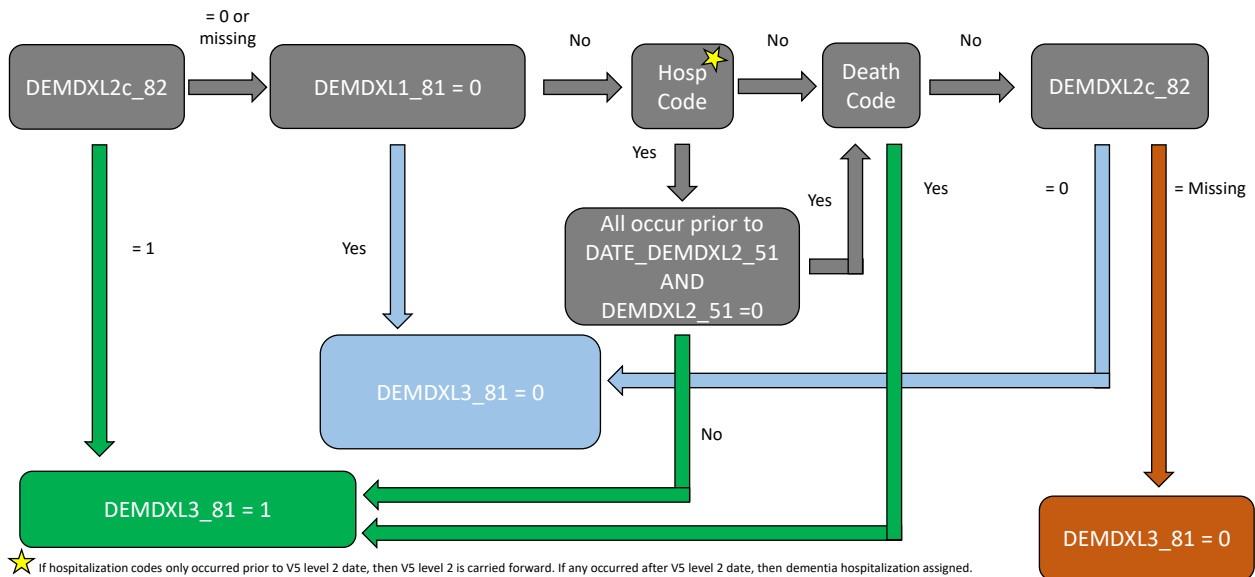
For PPTs who have died:
if dateofdeath_FollowUpDays < date_demdxl2c_82_FollowUpDays
and source_demdxl1_81 NE ("V8" or "V8T") then
source_demdxl2c_82=strip(source_demdxl2c_82)||"+DOD"

Source variable(s): visit 1 date, DEMDXL2c_82, DATE_DEMDXL2c_82_FollowUpDays,
DEMDXL2b_82, SOURCE_DEMDXL2b_82, SISFAILURECAT,
AD8FAILURE, [ADER] date of death, ICT1, ICT form date,
SOURCE_DEMDXL1_81, DATEOFDEATH_FollowUpDays

Level 3

Dementia hospitalization discharge codes and diagnostic codes from death certificates were used to ascertain dementia for PPTs who had no neuropsychological assessments, informant interviews, TICS, AD8, or SIS assessments. Level 3 dementia diagnosis, **DEMDXL3_81**, is assigned as the level 1 diagnosis when available, the level 2a diagnosis when available, the level 2b diagnosis when available, or the level 2c when available. Dementia hospitalization codes are then utilized followed by dementia codes from death certificates.

V8 Dementia Level 3 (DEMDXL3_81)



"J:\ARIC\Statistics\Data Documentation\Visits\Visit 8 Telephone\Supporting Documentation\Level Dementia Variables\DEMDX Flow Chart 2203022.pptx", created by jpike on 3/22/2022

7.13 **DEMDXL3_81 (Dementia diagnosis level 3)**

Description: Indicator variable for dementia based on (1) reviewer diagnosis, (2) algorithmic diagnosis, (3) education-adjusted TICS, (4) the CDR and FAQ from an informant interview, (5) AD8, (6) SIS, (7) dementia codes from hospitalization records, and (8) dementia codes from death certificates. Diagnoses are prioritized based on the order listed.

Format: 0=No, 1=Yes.

Type: Numeric

Algorithm: For PPTs with DEMDXL2c_82=1 or (demdxl2c_82=0 and source_demdxl2c_82 in ("V8", "V8+DOD", "V8T", "V8T+DOD")):
 DEMDXL3_81=DEMDXL2c_82

For PPTs with DEMDXL2c_82=(0, NULL) or (demdxl2c_82=0 and source_demdxl2c_82 not in ("V8", "V8+DOD", "V8T", "V8T+DOD")):

If DEMDXL1_81=0 then DEMDXL3_81=0

If DEMENTEDDTH81=1 and the death occurred before '04DEC2020', then DEMDXL3_81=1

Else if (dementedcel81=1 and ((dementedcel81_date_cond <= visit 7 date for dementia diagnosis level 2a) or (visit 7 date for dementia diagnosis level 2a is missing and dementedcel81_date_cond < '01SEP13'd))) then DEMDXL3_81=1

Else if dementedcel81=1 and (visit 8 date for dementia diagnosis level 2a <dementedcel81_date_cond or (visit 8 date for dementia diagnosis level 2a is missing) and dementedcel81_date_cond >= '01SEP13'd)) then DEMDXL3_81=1

Else do:

If DEMDXL2c_82=0 then DEMDXL3_81=0

Otherwise DEMDXL3_81=0

Source variable(s): DEMDXL2c_82, SOURCE_DEMDXL2c_82, DEMDXL1_81, DEMENTEDCEL81, DEMENTEDDTH81, DEMDXL2_51, visit 5 date for dementia diagnosis level 2

7.14 DATE_DEMDXL3_81_FollowUpDays (Days of follow up from visit 1 to Date for dementia diagnosis level 3)

Description: Days of follow up from visit 1 to date of diagnosis associated with DEMDXL3_81. For PPTs with dementia (DEMDXL3_81=1) the date corresponds to a neuropsychological assessment or the earliest hospitalization date with a dementia code, the date the TICS was administered, the date an informant interview was conducted, the date of the AD8, the date of the SIS, or the date of death.

Type: Numeric

Algorithm: For PPTs with DEMDXL2c_82=1 or (DEMDXL2c_82=0 AND SOURCE_DEMDXL2c_82 in ("V8", "V8+DOD", "V8T", "V8T+DOD")):
DATE_DEMDXL3_81_FollowUpDays =
DATE_DEMDXL2c_82_FollowUpDays

For PPTs with DEMDXL2c_82=NULL or (DEMDXL2c_82=0 AND SOURCE_DEMDXL2c_82 not in ("V8", "V8+DOD", "V8T", "V8T+DOD")):

if (DEMDXL2c_82=0) then do;

if (dementedcel81=1 and ((dementedcel81_date_cond <= visit 8 date for dementia diagnosis level 2a) or (visit 8 date for dementia diagnosis level 2a is missing and dementedcel81_date_cond < '01SEP2013'd))) then do;

if (dementeddth81=1 and NULL<dementeddth81_date<=04DEC2020) then DATE_DEMDXL3_81_FollowUpDays is the number of days between visit 1 and dementeddth81_date.

else DATE_DEMDXL3_81_FollowUpDays = DATE_DEMDXL2c_82_FollowUpDays;

end;

else if dementedcel81=1 and (visit 8 date for dementia diagnosis level 2a <dementedcel81_date_cond or (visit 8 date for dementia diagnosis level 2a is missing and dementedcel81_date_cond >= '01SEP2013'd)) then DATE_DEMDXL3_81_FollowUpDays is the number of days between visit 1 and DEMENTEDCEL81_DATE_COND.

else if (dementeddth81=1 and NULL<dementeddth81_date<=04DEC2020) then date_demdxl3_81_FollowUpDays is the number of days between visit 1 and dementeddth81_date.

else DATE_DEMDXL3_81_FollowUpDays=DATE_DEMDXL2c_82_FollowUpDays.

end;

else if (DEMENTEDCEL81=1 and NULL<DEMENTEDCEL81_date1<=04DEC2020) or (DEMENTEDDTH81=1 and NULL<DEMENTEDDTH81_date<=04DEC2020) then do;

If DEMENTEDCEL81=1 then date_demdxl3_81_FollowUpDays is the number of days between visit 1 and DEMENTEDCEL81_date1.

Else if DEMENTEDDTH81=1 then date_demdxl3_81_FollowUpDays is the number of days between visit 1 and DEMENTEDDTH81_date.

End;

For PPTs who have died:

if dateofdeath_FollowUpDays < date_demdxl3_81_FollowUpDays and
source_demdxl1_81 NE "V8" then
date_demdxl3_81_FollowUpDays=dateofdeath_FollowUpDays;

Otherwise DATE_DEMDXL3_81_FollowUpDays=NULL

Source variable(s): visit 1 date, DEMDXL2c_82, SOURCE_DEMDXL2c_82,
DATE_DEMDXL2c_82_FollowUpDays,
DATE_DEMDXL2a_82_FollowUpDays, DEMENTEDCEL81,
DEMENTEDDTH81, DEMENTEDCEL81_DATE_COND,
DEMENTEDCEL81_Date1, DEMENTEDDTH81_DATE,
SOURCE_DEMDXL1_81, DATEOFDEATH_FollowUpDays

7.15 SOURCE_DEMDXL3_81 (Diagnosis and date source for DATE_DEMDXL3_81)

Description: Source variable created to indicate the diagnosis and data source
used in DATE_DEMDXL3_81. Details are depicted in the table below.

Type: Character

Algorithm: For PPTs with DEMDXL2c_82=1 or (DEMDXL2c_82=0 AND
SOURCE_DEMDXL2c_82 in ("V8", "V8+DOD", "V8T", "V8T+DOD")):
SOURCE_DEMDXL3_81=SOURCE_DEMDXL2c_82

For PPTs with DEMDXL2c_82=NULL or (DEMDXL2c_82=0 AND
SOURCE_DEMDXL2c_82 not in ("V8", "V8+DOD", "V8T",
"V8T+DOD")):

If DATE_DEMDXL3_81_FollowUpDays is the days of follow up from
visit 1 to DEMENTEDCEL81_DATE_COND or
DEMENTEDCEL81_Date1 then SOURCE_DEMDXL3_81='HOSP'

Else if DATE_DEMDXL3_81_FollowUpDays is the days of follow up
from visit 1 to DEMENTEDDTH81_DATE and the death occurred
before '04DEC2020' then SOURCE_DEMDXL3_81='DTH'

Else SOURCE_DEMDXL3_81= SOURCE_DEMDXL2c_82 (See table
below for more granular assignments for SOURCE_DEMDXL3_81.)

If SOURCE_DEMDXL3_81 is missing and DEMDXL3_81 is not
missing then SOURCE_DEMDXL3_81='NO CODE'

For PPTs who have died:

if dateofdeath_FollowUpDays < date_demdxl3_81_FollowUpDays and
source_demdxl1_81 NE ("V8", "V8T") then
source_demdxl3_81=strip(source_demdxl3_81)||"+DOD"

Source variable(s): visit 1 date, DEMDXL2c_82, SOURCE_DEMDXL2c_82,
DATE_DEMDXL3_81_FollowUpDays,
DEMENTEDCEL81_DATE_COND, DEMENTEDCEL81_Date1,
DEMENTEDDTH81_DATE, SOURCE_DEMDXL1_81,
DATEOFDEATH_FollowUpDays

**SOURCE_DEMDXL3_81 - Diagnosis and date source for
DATE_DEMDXL3_81_FollowUpDays**

Source code	Source of the diagnosis	Date of the diagnosis
1SIS	1 SIS	SIS
1SIS+HOSP	1 SIS	Hospitalization discharge
2SIS	2 SIS	SIS
2SIS+HOSP	2 SIS	Hospitalization discharge
AD8	AD8	AD8
AD8+DOD	AD8	Date of death (from STATUS81)
AD8+HOSP	AD8	Hospitalization discharge
DTH	Dementia death code	Dementia death code
DTH+DOD	Dementia death code	Date of death (from STATUS81)
HOSP	Dementia hospitalization code	Hospitalization discharge
HOSP+DOD	Dementia hospitalization code	Date of death (from STATUS81)
NO CODE	No dementia death or hospitalization code	NULL
RDS Dead	RDS Dead	RDS Dead
RDS Live	RDS Live	RDS Live
RDS Live+DOD	RDS Live	Date of death (from STATUS81)
RDS+DTH	RDS	Dementia death code
RDS+DTH+DOD	RDS	Date of death (from STATUS81)
RDS+HOSP	RDS	Hospitalization discharge
TICS	TICS	TICS
TICS+HOSP	TICS	Hospitalization discharge
V5	V5 NCS exam	V5 visit
V5+HOSP	V5 NCS exam	Hospitalization discharge
V6	V6 NCS exam	V6 visit
V6+HOSP	V6 NCS exam	Hospitalization discharge
V6+RDS Live	V6 NCS exam, RDS Live	RDS
V6+RDS+HOSP	V6 NCS exam, RDS	Hospitalization discharge
V6+TICS	V6 NCS exam, TICS	TICS
V7	V7 NCS exam	V7 visit
V7+HOSP	V7 NCS exam	Hospitalization discharge
V7+RDS Live	V7 NCS exam, RDS Live	RDS
V7+RDS+HOSP	V7 NCS exam, RDS	Hospitalization discharge
V7+TICS	V7 NCS exam, TICS	TICS
V7+TICS+HOSP	V7 NCS exam, TICS	Hospitalization discharge
V8	V8 NCS exam	V8 visit
V8+HOSP	V8 NCS exam	Hospitalization discharge
V8+RDS Live	V8 NCS exam, RDS Live	RDS
V8+RDS+HOSP	V8 NCS exam, RDS	Hospitalization discharge
V8+TICS	V8 NCS exam, TICS	TICS
V8+TICS+HOSP	V8 NCS exam, TICS	Hospitalization discharge
V8T	V8 Telephone NCS exam	V8T visit
V8T+HOSP	V8 Telephone NCS exam	Hospitalization discharge

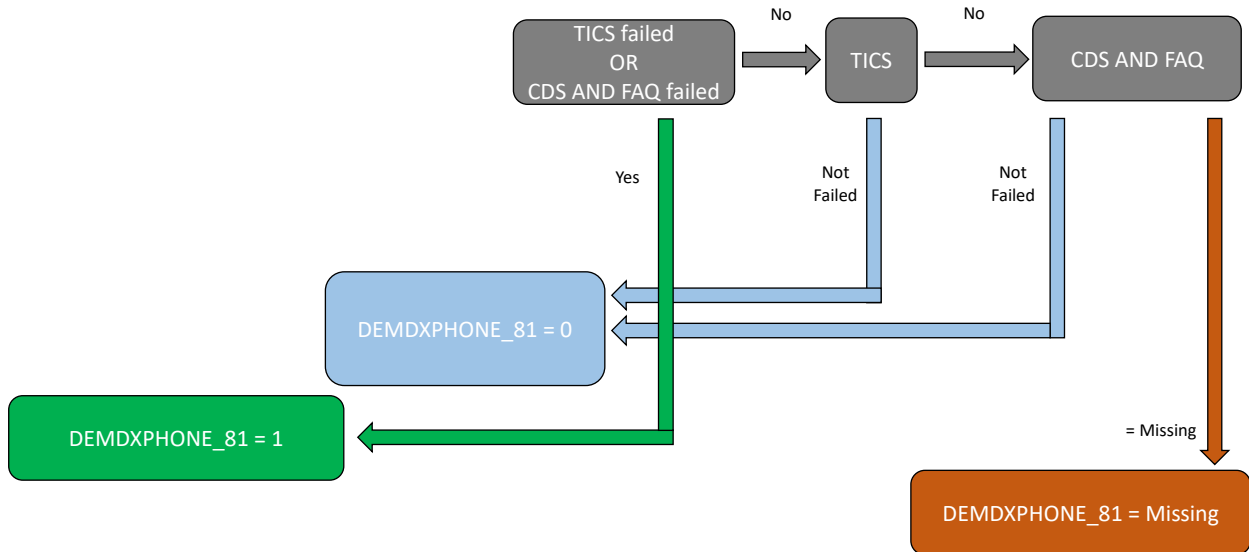
V8T+RDS Live	V8 Telephone NCS exam, RDS Live	RDS
V8T+RDS+HOSP	V8 Telephone NCS exam, RDS	Hospitalization discharge
V8T+TICS	V8 Telephone NCS exam, TICS	TICS
V8T+TICS+HOSP	V8 Telephone NCS exam, TICS	Hospitalization discharge

SIS=Six Item Screener, AD8=Eight Item Dementia Screening Interview, RDS=Retrospective dementia surveillance, TICS=Telephone Interview for Cognitive Status

Phone Only

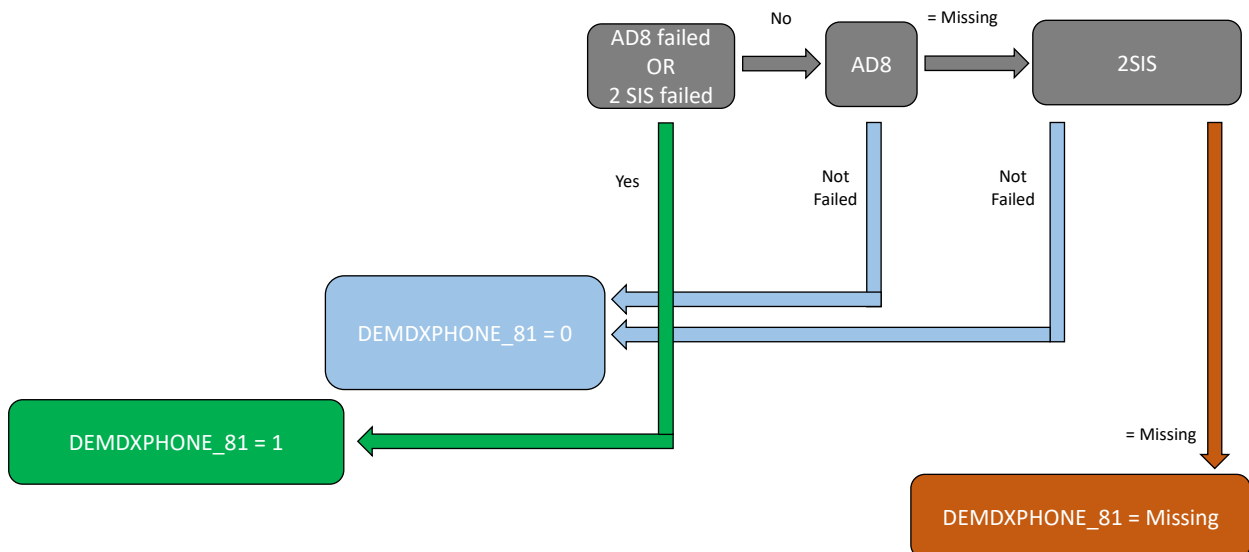
Dementia was ascertained using (**Phase 1**) the education-adjusted Telephone Interview for Cognitive Status (TICS) administered at Visit 5 or informant ratings from the CDR and FAQ, (**Phase 2**) Eight Item Dementia Screening Interview (AD8) score or two prorated Six Item Screener scores (SIS), or (**Phase 3**) a single prorated SIS score.

V8 Phone Only Phase 1



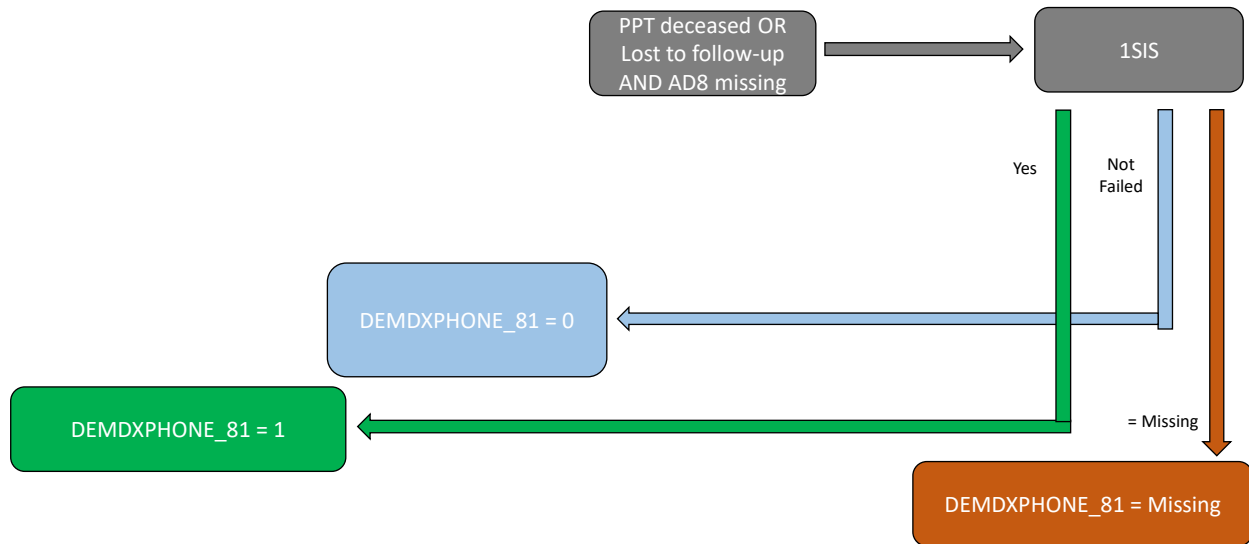
"J:\ARIC\Statistics\Data Documentation\Visits\Visit 8 Telephone\Supporting Documentation\Level Dementia Variables\DEMDX Flow Chart 2203022.pptx", created by jpike on 3/22/2022

V8 Phone Only Phase 2



"J:\ARIC\Statistics\Data Documentation\Visits\Visit 8 Telephone\Supporting Documentation\Level Dementia Variables\DEMDX Flow Chart 2203022.pptx", created by jpike on 3/22/2022

V8 Phone Only Phase 3



"J:\ARIC\Statistics\Data Documentation\Visits\Visit 8 Telephone\Supporting Documentation\Level Dementia Variables\DEMDX Flow Chart 2203022.pptx", created by jpike on 3/22/2022

7.16 DEMDXPHONE_81 (Dementia diagnosis from phone assessments)

Description: Indicator variable for dementia based on (1) education-adjusted TICS (≤ 23), (2) the CDR (> 3) and FAQ (> 5) from an informant interview (see **Manual 17**), (3) AD8 (≥ 2), and (4) SIS (≤ 3). Diagnoses are prioritized based on the order listed.

Format: 0=No, 1=Yes.

Type: Numeric

Algorithm: Let CDS7_# denote CDS7 at each visit #

If TIC_EDUC51 is non-missing or any CDS7_# are non-missing or SISFAILURECAT is non-missing or (AD8FAILURE is non-missing and SISFAILURECAT is non-missing) then DEMDXPHONE_81 = 0;

If missing < TIC_EDUC51 ≤ 23 then DEMDXPHONE_81=1
 If (CDS7_8 >3 and FAQ_8 >5) then DEMDXPHONE_81=1
 If (CDS7_7 >3 and FAQ_7 >5) then DEMDXPHONE_81=1
 If (CDS7_6 >3 and FAQ_6 >5) then DEMDXPHONE_81=1
 If (CDS7_5 >3 and FAQ_5 >5) then DEMDXPHONE_81=1

If AD8FAILURE=1 or SISFAILURECAT=2 then DEMDXPHONE_81=1
 If AD8FAILURE=NULL AND (NULL<[ADER] date of death $\leq 04DEC2020$ OR (ICT1=0 AND NULL<ICT form

date<=04DEC2020)) and SISFAILURECAT=1 then
DEMDXPHONE_81=1

If TIC_EDUC51, CDS7_8, CDS7_7, CDS7_6, CDS7_5,
AD8FAILURE, and SISFAILURECAT are all missing then
DEMDXPHONE_81=missing

Source variable(s): SISFAILURECAT, AD8FAILURE, [ADER] date of death, ICT1, ICT
form date, TIC_EDUC51, CDS7 and FAQ scores from visits 5-8

7.17 **DATE_DEMDXPHONE_81_FollowUpDays (Days of follow up from visit 1 to Date for dementia diagnosis from phone assessments)**

Description: Days of follow up from visit 1 to date of diagnosis associated with
DEMDXPHONE_81. For PPTs with dementia (DEMDXPHONE_81=1)
the date corresponds to the date the TICS was administered, the date
an informant interview was conducted, the date of the AD8, or the
date of the SIS.

Type: Numeric

Algorithm: If DEMDXPHONE_81=missing then
DATE_DEMDXPHONE_81_FollowUpDays=missing.

For PPTs with DEMDXPHONE_81=1:

If non-missing TIC_EDUC51 <= 23 and CDS7_5>3 and FAQ_5>5
then DATE_DEMDXPHONE_81_FollowUpDays is the number of days
between visit 1 and min(visit 5 CDS form date, visit 5 TIC form date);

Else if non-missing TIC_EDUC51 <= 23 and (CDS7_5 <= 3 or FAQ_5
<= 5) then DATE_DEMDXPHONE_81_FollowUpDays is the number
of days between visit 1 and visit 5 TIC form date.

Else if (CDS7_#>3 and FAQ_#>5) then
DATE_DEMDXPHONE_81_FollowUpDays is the number of days
between visit 1 and the CDS form date from visit #.

Else if AD8FAILURE = 1 and SISFAILURECAT = 2 then
DATE_DEMDXPHONE_81_FollowUpDays is the number of days
between visit 1 and min(SISFAILUREDATE, AD8FAILUREDATE)

Else if AD8FAILURE = 1 then
DATE_DEMDXPHONE_81_FollowUpDays is the number of days
between visit 1 and AD8FAILUREDATE

Else if SISFAILURECAT = 2 then
DATE_DEMDXPHONE_81_FollowUpDays is the number of days
between visit 1 and SISFAILUREDATE

Else if AD8FAILURE = NULL and SISFAILURECAT = 1 then
DATE_DEMDXPHONE_81_FollowUpDays is the number of days
between visit 1 and SISFAILUREDATE

For PPTs with DEMDXPHONE_81=0:
DATE_DEMDXPHONE_81_FollowUpDays is the number of days
between visit 1 and max(CDS form date from visit #, visit 5 TIC form
date, last ADS date, last SIS date)

For PPTs who have died:
if dateofdeath_FollowUpDays < date_demdxphone_81_FollowUpDays
then DATE_DEMDXPHONE_81_FollowUpDays =
dateofdeath_FollowUpDays

Source variable(s): visit 1 date, DEMDXPHONE_81, TIC_EDUC51, CDS7_#, FAQ_#,
CDS form date, TIC form date, AD8_derivelong, SIS_derivelong,
SISFAILUREDATE, AD8FAILUREDATE, ADS form date, SIS form
date, DATEOFDEATH_FollowUpDays

7.18 SOURCE_DEMDXPHONE_81 (Diagnosis and date source from phone assessments)

Description: Source variable created to indicate the diagnosis and data source
used in DATE_DEMDXPHONE_81_FollowUpDays.

Type: Character

Algorithm: If DEMDXPHONE_81=missing then
SOURCE_DEMDXPHONE_81=missing

Else if SOURCE_DEMDXPHONE_81="TICS" if [TIC_EDUC51 <= 23
or DATE_DEMDXPHONE_81_FollowUpDays is the days of follow up
from visit 1 to TIC form date]

Else if SOURCE_DEMDXPHONE_81="CDR" if [CDS7_#>3 and
FAQ_#>5 or DATE_DEMDXPHONE_81_FollowUpDays is the days of
follow up from visit 1 to CDS form date from visit #]

Else if AD8FAILURE=1 or SISFAILURECAT=2:
SOURCE_DEMDXPHONE_81="AD8" if AD8FAILURE = 1 and
DATE_DEMDXPHONE_81_FollowUpDays exists.
Else SOURCE_DEMDXPHONE_81="2SIS" if SISFAILURECAT =2.

Else if SISFAILURECAT=1 and AD8FAILURE=NULL:
SOURCE_DEMDXPHONE_81= "1SIS" if
DATE_DEMDXPHONE_81_FollowUpDays is the days of follow up
from visit 1 to SISFAILUREDATE

For PPTs with DEMDXPHONE_81=0:
SOURCE_DEMDXPHONE_81="TICS" if
DATE_DEMDXPHONE_81_FollowUpDays is the days of follow up
from visit 1 to visit 5 TIC form date

SOURCE_DEMDXPHONE_81="CDR" if
DATE_DEMDXPHONE_81_FollowUpDays is the days of follow up
from visit 1 to CDS form date from visit #

SOURCE_DEMDXPHONE_81="AD8" if
DATE_DEMDXPHONE_81_FollowUpDays is the days of follow up
from visit 1 to the last ADS date
SOURCE_DEMDXPHONE_81="1SIS" if
DATE_DEMDXPHONE_81_FollowUpDays is the days of follow up
from visit 1 to the last SIS date

For PPTs who have died:
if dateofdeath_FollowUpDays <
date_DEMDXPHONE_81_FollowUpDays then
SOURCE_DEMDXPHONE_81=strip(SOURCE_DEMDXPHONE_81)||
"+DOD"

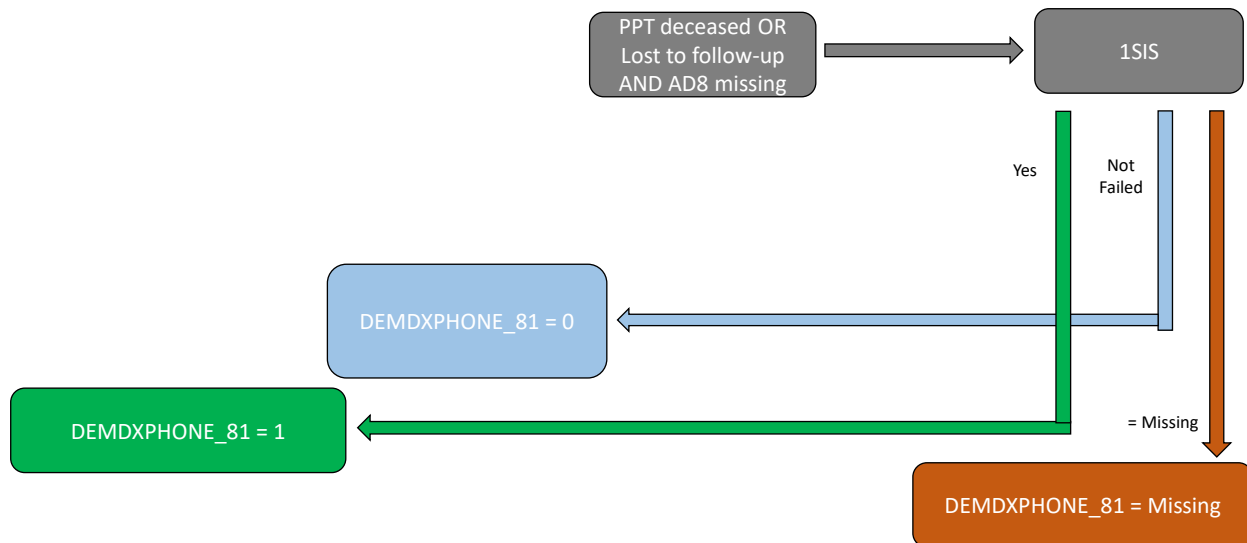
If DATEOFDEATH_FollowUpDays is present and
DATE_DEMDXPHONE_81_FollowUpDays >
(DATEOFDEATH_FollowUpDays-180) and
SOURCE_DEMDXPHONE_81 is missing then
SOURCE_DEMDXPHONE_81="DTH+DOD"

Source variable(s): visit 1 date, DEMDXPHONE_81, TIC_EDUC51,
DATE_DEMDXPHONE_81_FollowUpDays, AD8FAILURE,
SISFAILURECAT, AD8FAILUREDATE, SISFAILUREDATE, [ADER]
date of death, ICT1, ICT form date, DATEOFDEATH_FollowUpDays,
TIC form date, CDS form date

Medical Records and Death Certificates Only

Dementia was ascertained for all PPTs using hospitalization discharge codes and diagnostic codes from death certificates.

V8 Phone Only Phase 3



"J:\ARIC\Statistics\Data Documentation\Visits\Visit 8 Telephone\Supporting Documentation\Level Dementia Variables\DEMDX Flow Chart 2203022.pptx", created by jpike on 3/22/2022

7.19 DEMDXSURV_81 (Dementia diagnosis from medical records and death certificates)

Description: Indicator variable for dementia based on (1) dementia codes from hospitalization records and (2) dementia codes from death certificates. Diagnoses are prioritized based on the order listed.

Format: 0=No, 1=Yes.

Type: Numeric

Algorithm:

For PPTs with DEMENTEDCEL81=1:
DEMDXSURV_81=1

For PPTs with DEMENTEDCEL81=0:
If DEMENTEDDTH81=1 then DEMDXSURV_81=1
Otherwise DEMDXSURV_81=0

If ICT1=0 AND NULL<ICT form date<= DEMENTEDCEL81_Date1
then DEMDXSURV_81=0

Source variable(s): DEMENTEDCEL81, DEMENTEDDTH81, ICT form date, ICT1

7.20 DATE_DEMDXSURV_81_FollowUpDays (Days of follow up from visit 1 to Date for dementia diagnosis from medical records and death certificates)

Description: Days of follow up from visit 1 to date of diagnosis associated with DEMDXSURV_81. For PPTs with dementia (DEMDXSURV_81=1) the date corresponds to the earliest hospitalization date with a dementia code or the date of death.

Type: Numeric

Algorithm:
If (DEMENTEDCEL81=1 and
NULL<DEMENTEDCEL81_date1<=04DEC2020) or
(DEMENTEDDTH81=1 and
NULL<DEMENTEDDTH81_date<=04DEC2020) then do;
 If DEMENTEDCEL81=1 then
 DATE_DEMDXSURV_81_FollowUpDays is the number of days
 between visit 1 and DEMENTEDCEL81_date1.
 Else if DEMENTEDDTH81=1 then
 DATE_DEMDXSURV_81_FollowUpDays is the number of days
 between visit 1 and DEMENTEDDTH81_date.
End;

Else if DATEOFDEATH_FollowUpDays>NULL then
DATE_DEMDXSURV_81_FollowUpDays =
DATEOFDEATH_FollowUpDays

Else DATE_DEMDXSURV_81_FollowUpDays is the number of days
between visit 1 and the last date of contact with the participant or their
proxy

Source variable(s): visit 1 date, DEMENTEDCEL81, DEMENTEDCEL81_date1,
DEMENTEDDTH81, DEMENTEDDTH81_date,
DATEOFDEATH_FollowUpDays, ICT form date, ICT1, last date of
contact with the participant or their proxy

7.21 SOURCE_DEMDXSURV_81 (Diagnosis and date source from medical records and death certificates)

Description: Source variable created to indicate the diagnosis and data source used in DATE_DEMDXSURV_81_FollowUpDays.

Type: Character

Algorithm:

If DATE_DEMDXSURV_81_FollowUpDays is the days of follow up from visit 1 to DEMENTEDCEL81_DATE_COND or DEMENTEDCEL81_Date1 then SOURCE_DEMDXSURV_81='HOSP'

Else if DATE_DEMDXSURV_81_FollowUpDays is the days of follow up from visit 1 to DEMENTEDDTH81_DATE and the death occurred before '04DEC2020' then SOURCE_DEMDXSURV_81 = 'DTH'

Else if DATE_DEMDXSURV_81_FollowUpDays = DATEOFDEATH_FollowUpDays and the death occurred before '04DEC2020' then SOURCE_DEMDXSURV_81 = 'DTH'

Else SOURCE_DEMDXSURV_81 = 'HOSP'

Source variable(s): visit 1 date, DEMENTEDCEL81_DATE_COND, DEMENTEDCEL81_Date1, DEMENTEDDTH81_DATE, DATE_DEMDXSURV_81_FollowUpDays, DATEOFDEATH_FollowUpDays

8. SURVIVAL ANALYSIS VARIABLES

The use of survival analysis variables is described in **Manual 30** in the section entitled *Dementia and Mild Cognitive Impairment (MCI) Analyses*. In most cases, analysts will use level 3 dementia, i.e. **DEMDXL3CENS_81** and **COXDATE_DEMDXL3_81_FollowUpDays**.

The last date of contact with the participant or their proxy is used in some definitions in this section. Contact may occur in-person (e.g. during a clinic visit) or over the phone (e.g. during an annual or semi-annual follow-up interview). Annual and semi-annual follow-up interviews are counted only if hospitalization information was collected. If the participant died and the last date of contact occurred within a year prior to death, then follow-up is censored at the date of death. Otherwise, follow-up is censored at the last contact.

8.1 DEMDXL1CENS_81 (Censored level 1 dementia diagnosis)

Description: Censored level 1 dementia diagnosis is equivalent to level 1 dementia diagnosis (DEMDXL1_81) except that PPTs are censored at the date of their last in-person or phone-based neuropsychological assessment.

Format: 0=Censored, 1=Incident Dementia

Type: Numeric

Algorithm: If (DEMDXL1_81 = 1 with non-missing DATE_DEMDXL1_81_FollowUpDays and NULL<visit 8 date for dementia diagnosis level 1<= the last date of contact with the participant or their proxy) then
DEMDXL1CENS_81 = DEMDXL1_81;

Else if DEMDXL1_81 =1 with non-missing DATE_DEMDXL1_81_FollowUpDays and visit 8 date for dementia diagnosis level 1 > the last date of contact with the participant or their proxy then
DEMDXL1CENS_81 = 0;

Else if DEMDXL1_81 = 0 then DEMDXL1CENS_81 = 0;

Else do;

 If (DEMDXL1_71 = 1 with non-missing visit 7 date for dementia diagnosis level 1 and NULL< visit 7 date for dementia diagnosis level 1 <= the last date of contact with the participant or their proxy then

DEMDXL1CENS_81 = DEMDXL1_71;

Else if DEMDXL1_71 =1 with non-missing visit 7 date for dementia diagnosis level 1 and visit 7 date for dementia diagnosis level 1 > the last date of contact with the participant or their proxy then
DEMDXL1CENS_81 = 0;

Else if DEMDXL1_71 = 0 then DEMDXL1CENS_81 = 0;

Else do;

If (DEMDXL1_61 = 1 with non-missing visit 6 date for dementia diagnosis level 1 and NULL < visit 6 date for dementia diagnosis level 1 <= the last date of contact with the participant or their proxy) then
DEMDXL1CENS_81 = DEMDXL1_61;

Else if DEMDXL1_61 =1 with non-missing visit 6 date for dementia diagnosis level 1 and visit 6 date for dementia diagnosis level 1 > the last date of contact with the participant or their proxy then
DEMDXL1CENS_81 = 0;

Else if DEMDXL1_61 = 0 then DEMDXL1CENS_81 = 0;

Else do;

If (DEMDXL1_51 = 1 with non-missing visit 5 date for dementia diagnosis level 1 and NULL < visit 5 date for dementia diagnosis level 1 <= the last date of contact with the participant or their proxy) then
DEMDXL1CENS_81 = DEMDXL1_51;

Else if DEMDXL1_51 =1 with non-missing visit 5 date for dementia diagnosis level 1 and visit 5 date for dementia diagnosis level 1 > the last date of contact with the participant or their proxy then
DEMDXL1CENS_81 = 0;

Else if DEMDXL1_51 = 0 then
DEMDXL1CENS_81 = 0;

Else DEMDXL1CENS_81 = NULL;

Source variable(s): DEMDXL1_51, visit 5 date for dementia diagnosis level 1, DEMDXL1_61, visit 6 date for dementia diagnosis level 1, DEMDXL1_71, visit 7 date for dementia diagnosis level 1, DEMDXL1_81, visit 8 date for dementia diagnosis level 1, last date of contact with the participant or their proxy

8.2 COXDATE_DEMDXL1_81_FollowUpDays (Days of follow up from visit 1 to Adjusted date of censored level 1 dementia diagnosis)

Description: Days of follow up from visit 1 to adjusted date of censored level 1 dementia diagnosis. The date is equivalent to the date for dementia diagnosis level 1 except that 180 days is subtracted from the date if dementia was ascertained from a hospitalization record.

Type: Numeric

Algorithm: If DEMDXL1CENS_81=1 and DATE_DEMDXL1_81_FollowUpDays is non-missing and SOURCE_DEMDXL1_81 in (“DTH”, “DTH+DOD”, “HOSP”, “HOSP+DOD”, “RDS Dead”, “RDS Live”, “RDS Live+DOD”, “RDS+DTH”, “RDS+DTH+DOD”, “RDS+HOSP”, “V5+HOSP”, “V6+HOSP”, “V7+HOSP”, “V7+RDS Live”, “V7+RDS+HOSP”, “V8+HOSP”, “V8+RDS Live”, “V8+RDS+HOSP”, “V8T+HOSP”, “V8T+RDS Live”, “V8T+RDS+HOSP”):
COXDATE_DEMDXL1_81_FollowUpDays =
DATE_DEMDXL1_81_FollowUpDays – 180;

Else if DATE_DEMDXL1_81_FollowUpDays is non-missing then
COXDATE_DEMDXL1_81_FollowUpDays =
DATE_DEMDXL1_81_FollowUpDays;

Else if DEMDXL1CENS_81 is non-missing then
COXDATE_DEMDXL1_81_FollowUpDays is the number of days between visit 1 and visit 5 date.

If the adjusted date of censored level 1 dementia diagnosis is non-missing and after the last date of contact with the participant or their proxy then COXDATE_DEMDXL1_81_FollowUpDays is the number of days between visit 1 and the last date of contact with the participant or their proxy

Source variable(s): visit 1 date, DEMDXL1CENS_81, DATE_DEMDXL1_81_FollowUpDays, SOURCE_DEMDXL1_81, visit 5 date

8.3 DEMDXL2CENS_81 (Censored level 2 dementia diagnosis)

Description: Censored level 2 dementia diagnosis is equivalent to level 2c dementia diagnosis (DEMDXL2c_82) except that PPTs are censored at the date of their last neuropsychological assessment, education-adjusted TICS, informant interview, AD8, or SIS.

Format: 0=Censored, 1=Incident Dementia

Type: Numeric

Algorithm: If (DEMDXL2c_82 = 1 with non-missing DATE_DEMDXL2c_82_FollowUpDays and NULL<visit 8 date for dementia diagnosis level 2c<= the last date of contact with the participant or their proxy) then DEMDXL2CENS_81 = DEMDXL2c_82;

Else if DEMDXL2c_82 =1 with non-missing DATE_DEMDXL2c_82_FollowUpDays and visit 8 date for dementia diagnosis level 2c > the last date of contact with the participant or their proxy then DEMDXL2CENS_81 = 0;

Else if DEMDXL2c_82 = 0 then DEMDXL2CENS_81 = 0;

Else do;

If (DEMDXL2c_72 = 1 with non-missing visit 7 date for dementia diagnosis level 2c and NULL<visit 7 date for dementia diagnosis level 2c<= the last date of contact with the participant or their proxy then DEMDXL2CENS_81 = DEMDXL2c_72;

Else if DEMDXL2c_72 =1 with non-missing visit 7 date for dementia diagnosis level 2c and visit 7 date for dementia diagnosis level 2c> the last date of contact with the participant or their proxy then DEMDXL2CENS_81 = 0;

Else if DEMDXL2c_72 = 0 then DEMDXL2CENS_81 = 0;

Else do;

If (DEMDXL2c_62 = 1 with non-missing visit 6 date for dementia diagnosis level 2c and NULL<visit 6 date for dementia diagnosis level 2c<= the last date of contact with the participant or their proxy) then DEMDXL2CENS_81 = DEMDXL2c_62;

Else if DEMDXL2c_62 =1 with non-missing visit 6 date for dementia diagnosis level 2c and visit 6 date for dementia diagnosis level 2c>the last date of contact with the participant or their proxy then DEMDXL2CENS_81 = 0;

Else if DEMDXL2c_62 = 0 then DEMDXL2CENS_81=0;

Else do;

If (DEMDXL2_51 = 1 with non-missing visit 5 date for dementia diagnosis level 2 and NULL<visit 5 date for dementia diagnosis level 2<=the last date of contact with the participant or their proxy) then DEMDXL2CENS_81 = DEMDXL2_51;

Else if DEMDXL2_51 =1 with non-missing visit 5 date for dementia diagnosis level 2 and visit 5 date for dementia diagnosis level 2>the last date of contact with the participant or their proxy then DEMDXL2CENS_81 = 0;

Else if DEMDXL2_51 = 0 then DEMDXL2CENS_81=0;

Else DEMDXL2CENS_81 = NULL;

Source variable(s): DEMDXL2_51, visit 5 date for dementia diagnosis level 2, DEMDXL2c_62, visit 6 date for dementia diagnosis level 2c, DEMDXL2c_72, visit 7 date for dementia diagnosis level 2c, DEMDXL2c_82, DATE_DEMDXL2c_82_FollowUpDays, the last date of contact with the participant or their proxy

8.4 COXDATE_DEMDXL2_81_FollowUpDays (Days of follow up from visit 1 to Adjusted date of censored level 2 dementia diagnosis)

Description: Days of follow up from visit 1 to adjusted date of censored level 2 dementia diagnosis. The date is equivalent to the date for dementia diagnosis level 2c except that 180 days is subtracted from the date if dementia was ascertained from a hospitalization record or an informant interview that occurred after the date of death.

Type: Numeric

Algorithm: If DATEOFDEATH_FollowUpDays is non-missing and DATE_DEMDXL2b_82_FollowUpDays > (DATEOFDEATH_FollowUpDays-180) then COXDATE_DEMDXL2_81_FollowUpDays = DATEOFDEATH_FollowUpDays-180

Else If DEMDXL2CENS_81=1 and
DATE_DEMDXL2c_82_FollowUpDays is non-missing and
SOURCE_DEMDXL2c_82 in (“1SIS+HOSP”, “2SIS+HOSP”,
“AD8+DOD”, “AD8+HOSP”, “TICS+HOSP”, “V5+HOSP”,
“V6+HOSP”, “V7+HOSP”, “V7+RDS Live”, “V7+RDS+HOSP””,
“V8+HOSP”, “V8+RDS Live”, “V8+RDS+HOSP”, “V8T+HOSP”,
“V8T+RDS Live”, “V8T+RDS+HOSP”):
COXDATE_DEMDXL2_81_FollowUpDays =
DATE_DEMDXL2c_82_FollowUpDays – 180;

Else if DATE_DEMDXL2c_82_FollowUpDays is non-missing then
COXDATE_DEMDXL2_81_FollowUpDays =
DATE_DEMDXL2c_82_FollowUpDays;

Else if DEMDXL2CENS_81 is non-missing then
COXDATE_DEMDXL2_81_FollowUpDays is the number of days
between visit 1 and the last date of contact with the participant or their
proxy

If the adjusted date of censored level 2 dementia diagnosis is non-
missing and after the last date of contact with the participant or their
proxy then COXDATE_DEMDXL2_81_FollowUpDays is the number of
days between visit 1 and the last date of contact with the participant or
their proxy

Source variable(s): visit 1 date, DEMDXL2CENS_81,
DATE_DEMDXL2c_82_FollowUpDays, SOURCE_DEMDXL2c_82,
DATEOFDEATH_FollowUpDays, last date of contact with the
participant or their proxy

8.5 DEMDXL3CENS_81 (Censored level 3 dementia diagnosis)

Description: Censored level 3 dementia diagnosis is equivalent to level 3 dementia
diagnosis (DEMDXL3_81) except that PPTs are censored at either
their date of death, the date they asked to be withdrawn from the
study, or the last date of contact with the PPT or their proxy.

Format: 0=Censored, 1=Incident Dementia

Type: Numeric

Algorithm: For PPTs with DEMDXL2c_82=1 or (DEMDXL2c_82=0 and
DEMDXL3_81=0):
DEMDXL3CENS_81=DEMDXL2c_82

Else for PPTs with non-missing DATE_DEMDXL3_81_FollowUpDays and visit 8 date for dementia diagnosis level 3 \leq last date of contact with the participant or their proxy:
DEMDXL3CENS_81=DEMDXL3_81

Else:
DEMDXL3CENS_81=0

Source variable(s): DEMDXL2c_82, DEMDXL3_81, DATE_DEMDXL3_81_FollowUpDays, last date of contact with the participant or their proxy

8.6 COXDATE_DEMDXL3_81_FollowUpDays (Days of follow up from visit 1 to Adjusted date of censored level 3 dementia diagnosis)

Description: Days of follow up from visit 1 to adjusted date of censored level 3 dementia diagnosis. The date is equivalent to the date for dementia diagnosis level 3 except that 180 days is subtracted from the date if dementia was ascertained from a hospitalization record, death certificate, or informant interview that occurred after the date of death.

Type: Numeric

Algorithm: DATE_DEMDXL3CENS_81_FollowUpDays is defined as follows:

For PPTs with [DEMDXL2c_82=1 or (DEMDXL2c_82=0 AND demdxl3_81=0)] and non-missing DATE_DEMDXL2c_82_FollowUpDays:
DATE_DEMDXL3CENS_81_FollowUpDays =
DATE_DEMDXL2c_82_FollowUpDays

Else for PPTs with non-missing DATE_DEMDXL3_81_FollowUpDays and visit 8 date for dementia diagnosis level 3 \leq last date of contact with the participant or their proxy:
DATE_DEMDXL3CENS_81_FollowUpDays =
DATE_DEMDXL3_81_FollowUpDays

Else:
DATE_DEMDXL3CENS_81_FollowUpDays is the number of days between visit 1 and the last date of contact with the participant or their proxy

COXDATE_DEMDXL3_81_FollowUpDays=DATE_DEMDXL3CENS_81_FollowUpDays

For participants with DEMDXL3CENS_81=1 and SOURCE_DEMDXL3_81 in ("1SIS+HOSP", "2SIS+HOSP",

"AD8+DOD", "AD8+HOSP", "DTH", "DTH+DOD", "HOSP",
 "HOSP+DOD", "RDS Dead", "RDS Live", "RDS Live+DOD",
 "RDS+DTH", "RDS+DTH+DOD", "RDS+HOSP", "TICS+HOSP",
 "V5+HOSP", "V6+HOSP", "V7+HOSP", "V7+RDS Live",
 "V7+RDS+HOSP", "V8+HOSP", "V8+RDS Live", "V8+RDS+HOSP",
 "V8T+HOSP", "V8T+RDS Live", "V8T+RDS+HOSP"):
 COXDATE_DEMDXL3_81_FollowUpDays=DATE_DEMDXL3CENS_
 81_FollowUpDays - 180;

If COXDATE_DEMDXL3_81_FollowUpDays =>
 DATEOFDEATH_FollowUpDays then
 COXDATE_DEMDXL3_81_FollowUpDays =
 DATEOFDEATH_FollowUpDays-1;

Source variable(s): DEMDXL2c_82, DEMDXL3_81,
 DATE_DEMDXL2c_82_FollowUpDays,
 DATE_DEMDXL3_81_FollowUpDays, last date of contact with the
 participant or their proxy, SOURCE_DEMDXL3_81,
 DATE_DEMDXL3CENS_81_FollowUpDays

8.7 DEMDXPHONECENS_81 (Censored phone only dementia diagnosis)

Description: Censored phone only dementia diagnosis is equivalent to dementia
 diagnosis from phone assessments (DEMDXPHONE_81) except that
 PPTs are censored at the date of their last TICS, informant interview,
 AD8, or SIS.

Format: 0=Censored, 1=Incident Dementia

Type: Numeric

Algorithm: If (DEMDXPHONE_81= 1 with non-missing
 DATE_DEMDXPHONE_81_FollowUpDays and NULL< visit 8 date
 for dementia diagnosis from phone assessments <= last date of
 contact with the participant or their proxy) then
 DEMDXPHONECENS_81 = DEMDXPHONE_81;

Else if DEMDXPHONE_81 =1 with non-missing
 DATE_DEMDXPHONE_81_FollowUpDays and visit 8 date for
 dementia diagnosis from phone assessments > last date of contact
 with the participant or their proxy then
 DEMDXPHONECENS_81 = 0;

Else if DEMDXPHONE_81 = 0 then DEMDXPHONECENS_81 = 0;

Else DEMDXPHONECENS_81 = NULL

Source variable(s): DEMDXPHONE_81, DATE_DEMDXPHONE_81_FollowUpDays, last date of contact with the participant or their proxy

8.8 COXDATE_DEMDXPHONE_81_FUdays (Days of follow up from visit 1 to Adjusted date of censored phone only dementia diagnosis)

Description: Days of follow up from visit 1 to adjusted date of censored phone only dementia diagnosis. The date is equivalent to the date for dementia diagnosis from phone assessments except that 180 days is subtracted from the date if dementia was ascertained from an informant interview that occurred after the date of death.

Type: Numeric

Algorithm: For participants with DEMDXPHONECENS_81=1 and SOURCE_DEMDXPHONE_81 in ("1SIS+DOD", "2SIS+DOD", "AD8+DOD", "TICS+DOD", "CDR+DOD"):
COXDATE_DEMDXPHONE_81_FUdays =
DATE_DEMDXPHONE_81_FollowUpDays – 180;

Else:
COXDATE_DEMDXPHONE_81_FUdays =
DATE_DEMDXPHONE_81_FollowUpDays

If DATEOFDEATH_FollowUpDays is present and
DATE_DEMDXPHONE_81_FollowUpDays >
(DATEOFDEATH_FollowUpDays-180) then
COXDATE_DEMDXPHONE_81_FUdays =
DATEOFDEATH_FollowUpDays-180

If the adjusted date of censored phone only dementia diagnosis is non-missing and after the last date of contact with the participant or their proxy then COXDATE_DEMDXPHONE_81_FUdays is the number of days between visit 1 and the last date of contact with the participant or their proxy

Source variable(s): visit 1 date, SOURCE_DEMDXPHONECENS_81, DATE_DEMDXPHONE_81_FollowUpDays, DATEOFDEATH_FollowUpDays, last date of contact with the participant or their proxy

8.9 DEMDXSURVCENS_81 (Censored surveillance only dementia diagnosis)

Description: Censored surveillance only dementia diagnosis is equivalent to

dementia diagnosis from medical records and death certificates (DEMDXSURV_81) except that PPTs are censored at either their date of death, the date they asked to be withdrawn from the study, the date they were lost to follow-up, or the last date of contact with the PPT or their proxy.

Format: 0=Censored, 1=Incident Dementia

Type: Numeric

Algorithm: For PPTs with DEMDXSURV_81=(0, missing):
DEMDXSURVCENS_81=0

Else for PPTs with non-missing
DATE_DEMDXSURV_81_FollowUpDays and visit 8 date for dementia diagnosis from medical records and hospital certificates \leq last date of contact with the participant or their proxy:
DEMDXSURVCENS_81=DEMDXSURV_81

Else DEMDXSURVCENS_81=0

Source variable(s): DEMDXSURV_81, DATE_DEMDXSURV_81_FollowUpDays, last date of contact with the participant or their proxy

8.10 COXDATE_DEMDXSURV_81_FUdays (Days of follow up from visit 1 to Adjusted date of censored surveillance only dementia diagnosis)

Description: Days of follow up from visit 1 to adjusted date of censored surveillance only dementia diagnosis. The date is equivalent to the date for dementia diagnosis from medical records and death certificates except that 180 days is subtracted from the date.

Type: Numeric

Algorithm: If DEMDXSURVCENS_81=0 then
COXDATE_DEMDXSURV_81_FUdays =
DATE_DEMDXSURV_81_FollowUpDays

Else:
COXDATE_DEMDXSURV_81_FUdays =
DATE_DEMDXSURV_81_FollowUpDays – 180;

If adjusted date of censored surveillance only dementia diagnosis is non-missing and after the last date of contact with the participant or their proxy then COXDATE_DEMDXSURV_81_FUdays is the number of days from visit 1 to the last date of contact with the participant or their proxy

Source variable(s): visit 1 date, DEMDXSURVCENS_81, DATE_DEMDXSURV_81, DEMDXSURV81, ICT1, last date of contact with the participant or their proxy

APPENDIX A: LEVELED DEMENTIA INTERMEDIATE VARIABLES

Appendix A provides the descriptions and algorithms for intermediate variables used to derive leveled dementia variables. These include variables from the Six Item Screener (SIS) and Eight Item Dementia Screening Interview (ADS) from annual and semi-annual follow up as well as hospital discharge codes (Cohort Event Eligibility form, CELB) and death codes (Death Certificate form, DTHA) from community surveillance.

A1. DEATH AND HOSPITALIZATION CODES

A1.1 DEMENTEDCEL81 (Dementia codes in CEL)

Description: Indicator for the presence of ICD-9 or ICD-10 codes for dementia on the Cohort Event Eligibility form. Although a single participant may have multiple records with a dementia hospitalization code, DEMENTEDCEL81 is a one-record-per-SUBJECTID indicator for the presence of any dementia hospitalization code.

Type: Numeric

Algorithm:

DEMENTEDCEL81	Description
1	if any of the CEL10* variables contains an ICD code from the following list: 290, 294.0, 294.1, 294.2, 294.9, 331.8, 331.82, 331.89', 331.0, 331.1, 331.2, 331.7, 331.9, F04, F06.8, G94, G31.9, G31.83, G31.89, F01, F01.5, F01.50, F01.51, F02, F02.8, F02.80, F02.81, F03, F03.9, F03.90, F03.91, G30, G30.0, G30.1, G30.8, G30.9, G31.0, G31.01, G31.09, G31.1, G31.83, R41, R41.81, R41.84, R41.89, R41.9 AND Date of discharge is non-missing and occurs on or before 04DEC2020 *a-z, a1-z1, a2-z2, or a3-z3
NULL	Otherwise

Related variable(s): CELB10a-CELB10z, CELB10a1-CELB10z1, CELB10a2-CELB10z2, CELB10a3-CELB10z3, date of discharge

A1.2 DEMENTEDCEL81_DATE1-DEMENTEDCEL81_DATE# (Date of the occurrence of a CEL with dementia code)

Description: Date variables that correspond to the date of discharge among CEL Cohort Event Eligibility records by participant where the codes contain a dementia hospitalization code. Since participants may have multiple records with a dementia hospitalization code, DEMENTEDCEL81_DATE1 denotes the first instance, DEMENTEDCEL81_DATE2 denotes the second instance, etc. If no dementia hospitalization is found for a participant, then all DEMENTEDCEL81_DATE# variables are missing.

Type: Date

Algorithm:

DEMENTEDCEL81_DATE#	Description
CELB04	If DEMENTEDCEL81=1 then DEMENTEDCEL81_DATE# is the date of discharge for each of the instances in which a dementia hospitalization code was identified.
NULL	Otherwise

Related variable(s): DEMENTEDCEL81, date of discharge

A1.3 DEMENTEDDTH81 (Dementia codes in DTH)

Description: Indicator for the presence of ICD-9 or ICD-10 codes for dementia on the Death Certificate Form (1=Yes, 0=No). Although a single participant may have multiple records with a death code, DEMENTEDDTH81 is a one-record-per-SUBJECTID indicator for the presence of any dementia death code. DEMENTEDDTH81=1 denotes the first occurrence of any dementia death code, and DEMENTEDDTH81=0 denotes that no dementia death code was identified.

Type: Numeric

Algorithm:

DEMENTEDDTH81	Description
1	if any of DTHA19a-DTHA19j contains any one of the ICD codes from the following list: 290, 294.0, 294.1, 294.2, 294.9, 331.8, 331.82, 331.89', 331.0, 331.1, 331.2, 331.7, 331.9, F04, F06.8, G94, G31.9, G31.83, G31.89, F01, F01.5, F01.50, F01.51, F02, F02.8, F02.80, F02.81, F03, F03.9, F03.90, F03.91, G30, G30.0, G30.1, G30.8, G30.9, G31.0, G31.01, G31.09, G31.1, G31.83, R41, R41.81, R41.84, R41.89, R41.9 AND Date of death is non-missing and occurs on or before 04DEC2020
0	Otherwise

Related variable(s): DTHA19a through DTHA19j, date of death

A1.4 DEMENTEDDTH81_DATE (Date of death for PPT with a dementia death code)

Description: Date variable that corresponds to the death date for the participant when a dementia code is found on the death record. Although a single participant may have multiple records with a death code, DEMENTEDDTH81_DATE denotes the first occurrence of a dementia death code.

Type: Date

Algorithm:

DEMENTEDDTH81_DATE	Description
DTHA09	If DEMENTEDDTH81=1 then the corresponding date is the date of death
NULL	Otherwise

Related variable(s): DEMENTEDDTH81, date of death

A1.5 DEMENTEDCEL81_DATE_COND (DEMENTEDCEL81_DATE conditional on dementia information available at V5)

Description: Date variable that corresponds to the date of discharge among CEL Cohort Event Eligibility records by participant where the codes contain a dementia hospitalization code, conditional on dementia information available at V5 (DEMDXL2_51). This variable summarizes the DEMENTEDCEL81_DATE1 through DEMENTEDCEL81_DATE# variables above, based on the timing of available V5 level 2 dementia information. DEMENTEDCEL81_DATE_COND is the first instance of a hospitalization code (DEMENTEDCEL81_DATE1) if there is no V5 information OR all hospitalization codes occur after V5 OR all hospitalization codes occur before V5. If V5 information is available between hospitalization dates, then DEMENTEDCEL81_DATE_COND is the first date after the V5 date (or after 01SEP2013 if V5 date is missing).

Type: Date

Algorithm:

DEMENTEDCEL81_DATE_COND	Description
DEMENTEDCEL81_DATE1	If dementia codes are in CEL AND there is no dementia information available at level 2 at V5 OR all dementia hospitalization codes occur before V5 level 2 information OR all dementia hospitalization codes occur after V5 level 2 information
DEMENTEDCEL81_DATE2 – DEMENTEDCEL81_DATE#	If dementia codes are in CEL AND Dementia information at V5 level 2 occurs between dates of hospitalization codes then it's the first hospitalization date occurring after V5 level 2 date (or after 01SEP2013 if V5 date is missing).
NULL	Otherwise

Related Variable(s): DEMENTEDCEL81, visit 5 date for dementia diagnosis level 2, DEMDXL2_51, DEMENTEDCEL81_DATE1-DEMENTEDCEL81_DATE#

A2. ADS VARIABLES (MULTIPLE RECORDS PER PPT)

A2.1 ADSLEADRESP (Number of responses (Yes or No) to lead in questions)

Description: The number of responses to the lead in questions on the ADS form.
Note: ADS lead in questions refers to variables ADS3 ADS4 ADS5 ADS6 ADS7 ADS8 ADS9 ADS10.

Type: Numeric

Algorithm:

ADSLeadResp	Description
1-8	Count of "Y" or "N" responses to ADS lead in questions. ADSLeadResp=1 if only one question was answered, ADSLeadResp=2 if two questions were answered, etc.
0	If there are no responses (missing) to ADS lead in questions

Related variable(s): ads3 ads4 ads5 ads6 ads7 ads8 ads9 ads10

A2.2 ADSLEADY (Number of Yes responses to lead in questions)

Description: The number of "Yes" responses given to lead in questions on the ADS form.
Note: ADS lead in questions refers to variables ADS3 ADS4 ADS5 ADS6 ADS7 ADS8 ADS9 ADS10.

Type: Numeric

Algorithm:

ADSLeadY	Description
1-8	Count of "Y" responses to ADS lead in questions. ADSLeadY=1 if only one response was "Y", ADSLeadY=2 if two responses were "Y", etc.
0	If there are no "Y" responses to ADS lead in questions

Related variable(s): ads3 ads4 ads5 ads6 ads7 ads8 ads9 ads10

A2.3 ADSLEADN (Number of 'No' responses to lead in questions)

Description: The number of "No" responses given to lead in questions on the ADS form.
Note: ADS lead in questions refers to variables ADS3 ADS4 ADS5 ADS6 ADS7 ADS8 ADS9 ADS10.

Type: Numeric

Algorithm:

ADSLeadN	Description
1-8	Count of "N" responses to ADS lead in questions. ADSLeadN=1 if only one response was "N", ADSLeadN=2 if two responses were "N", etc.
0	If there are no "N" responses to ADS lead in questions

Related variable(s): ads3 ads4 ads5 ads6 ads7 ads8 ads9 ads10

A2.4 ADSSUBRESP (Number of responses (Yes or No) to sub questions)

Description: The number of responses to the sub questions on the ADS form.
Note: ADS sub questions refers to variables ADS3a ADS4a ADS5a ADS6a ADS7a ADS8a ADS9a ADS10a.

Type: Numeric

Algorithm:

ADSSubResp	Description
1-8	Count of "Y" or "N" responses to ADS sub questions. ADSSubResp=1 if only one sub question was answered, ADSSubResp=2 if two sub questions were answered, etc.
0	If there are no responses (missing) to ADS sub questions

Related variable(s): ads3a ads4a ads5a ads6a ads7a ads8a ads9a ads10a;

A2.5 AD8aScore (Number of 'Yes' responses to sub questions (AD8 Score), conditional on the expected number of responses)

Description: AD8 Score is the number of “Yes” responses to sub questions following “Yes” responses to lead in questions. The number of ‘Yes’ responses to lead in questions is equivalent to the number of expected responses to sub questions. An AD8 score is only calculated if the participant responds (Yes or No) to at least 3 lead in questions AND 50% or more of the expected number of sub questions are answered OR if fewer than 50% of the expected number of sub questions are answered then 50% or more of responses to lead in questions should be ‘No’.

Type: Numeric

Algorithm:

AD8aScore	Description
1-8	Count of “Y” responses to ADS sub questions if there are three or more responses to lead in questions AND: 1) There is a sub question response for half or more of the "Y" responses to lead in questions OR 2) If there are sub question responses for less than half of the "Y" responses to lead in questions, but "N" responses make up half or more of the lead in questions
0	There are no “Y” responses to ADS sub questions if there are three or more responses to lead in questions AND: 1) There is a sub question response for half or more of the "Y" responses to lead in questions OR 2) If there are sub question responses for less than half of the "Y" responses to lead in questions, but "N" responses make up half or more of the lead in questions
NULL	Otherwise

Related variable(s): ads3a ads4a ads5a ads6a ads7a ads8a ads9a ads10a

A2.6 AD8Failure (AD8 failure (score >= 2))

Description: Indicator variable for AD8 failure, defined as an AD8 score >= 2.

Type: Numeric

Algorithm:

AD8Failure	Description
1	If AD8 Score is 2 or greater then AD8 is failed

0	If AD8 Score is non-missing and less than 2 then AD8 is not failed
NULL	If AD8 score is missing

Related variable(s): ad8ascore

A3. ADS VARIABLES (ONE RECORD PER PPT)

A3.1 AD8FAILURE (Any failed AD8 (score >=2) among those attempted)

Description: Since a single participant may have multiple AD8 evaluations, this AD8FAILURE variable differs from that in the above section. This variable is a one-record-per-participant indicator variable for any AD8 failure (i.e. one or more AD8 failures among those attempted). Failure is defined as an AD8 score ≥ 2 .

Type: Numeric

Algorithm:

AD8Failure	Description
1	If there are one or more AD8 Score(s) of 2 or greater
0	If there are no failed AD8s (all non-missing scores are less than 2)
NULL	All AD8 scores are missing

Related variable(s): AD8FAILURE1-AD8FAILURE#

A3.2 AD8FAILUREDATE (Date of first AD8 failed or last observed not failed)

Description: Date variable that corresponds to the earliest date the AD8 was failed or the date of the last AD8 that was not failed.

Type: Date

Algorithm:

AD8FailureDate	Description
----------------	-------------

ADS0a	If AD8Failure=1 then AD8FAILUREDATE is the earliest ADS date at which the first failure occurred
ADS0a	If AD8Failure=0 then AD8FAILUREDATE is the latest ADS date at which the last observed AD8 was not failed
.	If AD8Failure is missing

Related Variable(s): AD8Failure, ADS date

A4. SIS VARIABLES (MULTIPLE RECORDS PER PPT)

A4.1 SISAttempt (SIS sum of attempted (Correct=C or Incorrect=I) responses)

Description: Number of attempted responses to the Six Item Screener questions SIS3, SIS4, SIS5, SIS6, SIS7, and SIS8. Responses that are correct (C) or incorrect (I) are counted as attempted.

Type: Numeric

Algorithm:

SISAttempt	Description
1-6	Count of attempted responses "C" or "I" to SIS questions. SISAttempt=1 if only one question had a response, SISAttempt=2 if two questions have a response, etc.
0	If there are no attempted responses to SIS questions

Related variable(s): sis3, sis4, sis5, sis6, sis7, sis8

A4.2 SISScore (SIS raw score (sum of correct responses))

Description: SIS raw score indicating the number of correct responses (C) to the Six Item Screener questions SIS3, SIS4, SIS5, SIS6, SIS7, and SIS8. If none of the SIS questions is attempted, then the SIS raw score is missing.

Type: Numeric

Algorithm:

SISScore	Description
1-6	Count of "C" responses to SIS questions. SISScore=1 if only one response was correct, SISScore=2 if two responses were correct, etc.
0	If there are no "C" responses to SIS questions
NULL	If there are no attempted responses to SIS questions

Related variable(s): sis3, sis4, sis5, sis6, sis7, sis8, sisattempt

A4.3 SISProratedScore (SIS prorated score (PPTs attempting 4+ items)=(# of correct SIS items * 6)/(# of attempted items))

Description: Prorated SIS score for PPTs who attempted 4 or more SIS items is given by the number of correct SIS items multiplied by 6 and divided by the total number of attempted SIS items.

Type: Numeric

Algorithm:

SISProratedScore	Description
0-6	If a PPT attempts four or more SIS items then the prorated score is the number of correct items multiplied by 6 and divided by the total number of attempted items
NULL	If there are fewer than four attempted SIS items

Related variable(s): SISScore, SISAttempt

A4.4 SISFailure (SIS failure (prorated SIS score <= 3))

Description: Indicator variable for the failure of an SIS. SIS failure is defined as a prorated SIS score of three or less.

Type: Numeric

Algorithm:

SISFailure	Description
1	If the SIS prorated score is non-missing and three or less, then the SIS was failed
0	If the SIS prorated score is greater than three, then the SIS was not failed
NULL	If the SIS prorated score is missing

Related variable(s): SISProratedScore

A5. SIS VARIABLES (ONE RECORD PER PPT)

A5.1 SISFAILURECAT (SIS FAILURE categories denoting number of failures)

Description: Since participants may have multiple SIS evaluations, SISFAILURECAT is a one-record-per-participant categorical variable that summarizes the number of SIS failures from the section above 'SIS Variables (multiple records per PPT)'. Categories denote the number of SIS Failures in order, where SISFailureCat=2 if there are at least two SIS failures per PPT, SISFailureCat=1 if there is only one SIS failure per PPT, SISFailureCat=0 if at least two SISs were not failed per PPT, and SISFailureCat=3 if any single SIS was not failed per PPT. If all SIS prorated scores are missing for a PPT, then SISFailureCat is also missing.

Type: Numeric

Algorithm:

SISFailureCat	Description
2	2 or more SIS Failures
1	Any single SIS Failure
0	At least two SIS not failed
3	Any single SIS not failed
NULL	All SISFailure missing

Note: SISFAILURE1 indicates the first SIS evaluation for a participant, SISFAILURE2 indicates the second SIS evaluation, etc. These variables are the transposed SISFAILURE variable from the section 'SIS Variables (multiple records per PPT)'.

Related Variables(s): SISFAILURE1-SISFAILURE#

A5.2 SISFAILUREDATE (Date of first SIS failure or last observed not failed)

Description: Date variable that corresponds to the earliest date of SIS failure or the date of the last observed SIS that was not failed.

Type: Date

Algorithm:

SISFailureDate	Description
----------------	-------------

SIS0a	If SISFailureCat=2, then it's the earliest SIS date at which the second failure occurred
SIS0a	If SISFailureCat=1, then it's the earliest SIS date at which the first failure occurred
SIS0a	If SISFailureCat=0, then it's the latest SIS date between the last two not failed
SIS0a	If SISFailureCat=3, then it's SIS date corresponding to the not failed SIS
NULL	If SISFailureCat =NULL

Related Variable(s): SISFailureCat, SIS date